

cincoze

CS-100/M1101 Series

User Manual



Sunlight Readable Monitor

8.4" ~24" TFT-LCD Sunlight Readable Touch Monitor with Projected Capacitive Touch, 1x DisplayPort, 1x HDMI, 1x VGA

Version: V1.00

Contents

Preface.....	4
Revision	4
Copyright Notice	4
Acknowledgement	4
Disclaimer.....	4
Declaration of Conformity.....	4
FCC.....	4
CE.....	5
RU.....	5
Product Warranty Statement	5
Warranty	5
RMA.....	5
Limitation of Liability.....	6
Technical Support and Assistance	6
Conventions Used in this Manual	6
Safety Precautions.....	7
Package Contents	8
Ordering Information	8
Chapter 1 Product Introductions	10
1.1 Overview	11
1.2 Specifications	12
1.2.1 CS-108/M1101 Series.....	12
1.2.2 CS-110H/M1101 Series	15
1.2.3 CS-112H/M1101 Series	18
1.2.4 CS-115/M1101 Series.....	21
1.2.5 CS-117/M1101 Series.....	24
1.2.6 CS-119/M1101 Series.....	27
1.2.7 CS-W121/M1101 Series	30
1.2.8 CS-W124/M1101 Series	33
1.3 External Layout.....	36
1.3.1 Front	36
1.3.2 Rear	36
1.3.3 Left	36
1.3.4 Right	36
1.4 Dimensions.....	37
1.4.1 CS-108/M1101 Series.....	37
1.4.2 CS-110H/M1101 Series	37
1.4.3 CS-112H/M1101 Series	38

1.4.4 CS-115/M1101 Series	38
1.4.5 CS-117/M1101 Series	39
1.4.6 CS-119/M1101 Series	39
1.4.7 CS-W121/M1101 Series	40
1.4.8 CS-W124/M1101 Series	40
Chapter 2 Introduction to Switches and Connectors on Monitor Module	41
2.1 Switches and Connectors Location	42
2.1.1 Rear Panel	42
2.1.2 Right Panel	43
2.2 OSD Function Description	44
Chapter 3 System Setup	46
3.1 Installing CDS Mount	47
3.2 Installing VESA Mount	49
3.3 Installing Panel Mount	50
3.4 Installing Optional Accessories	54
3.4.1 URM01	54

Preface

Revision

Revision	Description	Date
1.00	First Released	2023/09/04

Copyright Notice

© 2023 by Cincoze Co., Ltd. All rights are reserved. No parts of this manual may be copied, modified, or reproduced in any form or by any means for commercial use without the prior written permission of Cincoze Co., Ltd. All information and specification provided in this manual are for reference only and remain subject to change without prior notice.

Acknowledgement

Cincoze is a registered trademark of Cincoze Co., Ltd. All registered trademarks and product names mentioned herein are used for identification purposes only and may be trademarks and/or registered trademarks of their respective owners.

Disclaimer

This manual is intended to be used as a practical and informative guide only and is subject to change without notice. It does not represent a commitment on the part of Cincoze. This product might include unintentional technical or typographical errors. Changes are periodically made to the information herein to correct such errors, and these changes are incorporated into new editions of the publication.

Declaration of Conformity



FCC

This equipment has been tested and found to comply with the limits for a Class A digital device, pursuant to Part 15 of the FCC Rules. These limits are designed to provide reasonable protection against harmful interference when the equipment is operated in a commercial environment. This equipment generates, uses, and can radiate radio frequency energy and, if not installed and used in accordance with the instruction manual, may cause harmful interference to radio communications. Operation of this equipment in a residential area is likely to cause harmful interference in which case the user will be required to correct the interference at his own expense.



CE

The product(s) described in this manual complies with all application European Union (CE) directives if it has a CE marking. For computer systems to remain CE compliant, only CE-compliant parts may be used. Maintaining CE compliance also requires proper cable and cabling techniques.



RU

UL Recognized Components have been evaluated by UL for factory installation within equipment where the component's limitations of use are known and investigated by UL.

UL Recognized Components have conditions of acceptability that describe how components can be used within end products.

Product Warranty Statement

Warranty

Cincoze products are warranted by Cincoze Co., Ltd. to be free from defect in materials and workmanship for 2 years (2 Years for Monitor Module, 1 Year for Display Module) from the date of purchase by the original purchaser. During the warranty period, we shall, at our option, either repair or replace any product that proves to be defective under normal operation. Defects, malfunctions, or failures of the warranted product caused by damage resulting from natural disasters (such as by lightning, flood, earthquake, etc.), environmental and atmospheric disturbances, other external forces such as power line disturbances, plugging the board in under power, or incorrect cabling, and damage caused by misuse, abuse, and unauthorized alteration or repair, and the product in question is either software, or an expendable item (such as a fuse, battery, etc.), are not warranted.

RMA

Before sending your product in, you will need to fill in Cincoze RMA Request Form and obtain a RMA number from us. Our staff is available at any time to provide you with the most friendly and immediate service.

■ RMA Instruction

- Customers must fill in Cincoze Return Merchandise Authorization (RMA) Request Form and obtain an RMA number prior to returning a defective product to Cincoze for service.
- Customers must collect all the information about the problems encountered and note anything abnormal and describe the problems on the "Cincoze Service Form" for the RMA number apply process.
- Charges may be incurred for certain repairs. Cincoze will charge for repairs to products whose warranty period has expired. Cincoze will also charge for repairs to products if the damage resulted from acts of God, environmental or atmospheric disturbances, or other external forces through misuse, abuse, or unauthorized

alteration or repair. If charges will be incurred for a repair, Cincoze lists all charges, and will wait for customer's approval before performing the repair.

- Customers agree to ensure the product or assume the risk of loss or damage during transit, to prepay shipping charges, and to use the original shipping container or equivalent.
- Customers can be sent back the faulty products with or without accessories (manuals, cable, etc.) and any components from the system. If the components were suspected as part of the problems, please note clearly which components are included. Otherwise, Cincoze is not responsible for the devices/parts.
- Repaired items will be shipped along with a "Repair Report" detailing the findings and actions taken.

Limitation of Liability

Cincoze' liability arising out of the manufacture, sale, or supplying of the product and its use, whether based on warranty, contract, negligence, product liability, or otherwise, shall not exceed the original selling price of the product. The remedies provided herein are the customer's sole and exclusive remedies. In no event shall Cincoze be liable for direct, indirect, special or consequential damages whether based on contract of any other legal theory.

Technical Support and Assistance

1. Visit the Cincoze website at www.cincoze.com where you can find the latest information about the product.
2. Contact your distributor or our technical support team or sales representative for technical support if you need additional assistance. Please have following information ready before you call:
 - Product name and serial number
 - Description of your peripheral attachments
 - Description of your software (operating system, version, application software, etc.)
 - A complete description of the problem
 - The exact wording of any error messages

Conventions Used in this Manual



**WARNING
(AVERTIR)**

This indication alerts operators to an operation that, if not strictly observed, may result in severe injury.

(Cette indication avertit les opérateurs d'une opération qui, si elle n'est pas strictement observée, peut entraîner des blessures graves.)



**CAUTION
(ATTENTION)**

This indication alerts operators to an operation that, if not strictly observed, may result in safety hazards to personnel or damage to equipment.

(Cette indication avertit les opérateurs d'une opération qui, si elle n'est pas strictement observée, peut entraîner des risques pour la sécurité du personnel ou des dommages à l'équipement.)



**NOTE
(NOTE)**

This indication provides additional information to complete a task easily.

(Cette indication fournit des informations supplémentaires pour effectuer facilement une tâche.)

Safety Precautions

Before installing and using this device, please note the following precautions.

1. Read these safety instructions carefully.
2. Keep this User's Manual for future reference.
3. Disconnect this equipment from any AC outlet before cleaning.
4. For plug-in equipment, the power outlet socket must be located near the equipment and must be easily accessible.
5. Keep this equipment away from humidity.
6. Put this equipment on a reliable surface during installation. Dropping it or letting it fall may cause damage.
7. Make sure the voltage of the power source is correct before connecting the equipment to the power outlet.
8. Use a power cord that has been approved for using with the product and that it matches the voltage and current marked on the product's electrical range label. The voltage and current rating of the cord must be greater than the voltage and current rating marked on the product.
9. Position the power cord so that people cannot step on it. Do not place anything over the power cord.
10. All cautions and warnings on the equipment should be noted.
11. If the equipment is not used for a long time, disconnect it from the power source to avoid damage by transient overvoltage.
12. Never pour any liquid into an opening. This may cause fire or electrical shock.
13. Never open the equipment. For safety reasons, the equipment should be opened only by qualified service personnel.

If one of the following situations arises, get the equipment checked by service personnel:

- The power cord or plug is damaged.
- Liquid has penetrated into the equipment.
- The equipment has been exposed to moisture.
- The equipment does not work well, or you cannot get it work according to the user's

manual.

- The equipment has been dropped and damaged.
- The equipment has obvious signs of breakage.

14. CAUTION: Risk of Explosion if Battery is replaced by an Incorrect Type. Dispose of Used Batteries According to the Instructions.

ATTENTION: Risque d'explosion si la batterie est remplacée par un type incorrect. Mettre au rebus les batteries usagées selon les instructions.

15. Equipment intended only for use in a RESTRICTED ACCESS AREA.

16. Output of the external power source shall be complied with ES1, PS3 requirements, output rating between 9-48 VDC, minimum 5-1A, with minimum rated maximum ambient temperature 70°C, and has to be evaluated according to UL/IEC/EN 60950-1 and/or UL/IEC/EN 62368-1. If need further assistance, please contact Cincoze for further information.

17. Ensure to connect the power cord of power adapter to a socket-outlet with earthing connection.

Package Contents

Before installation, please ensure all the items listed in the following table are included in the package.

Item	Description	Q'ty
1	CS-100/M1101 Monitor Module	1
2	USB Cable	1
3	VGA Cable	1
4	Power Terminal Block Connector (Female)	1
5	Screw Pack	1
6	Panel Mounting Kit (The quantity varies with the size of the display module, please refer to the datasheet for the actual quantity)	1

Note: Notify your sales representative if any of the above items are missing or damaged.

Ordering Information

Model No.	Product Description
CS-108C-R10/M1101-R10	8.4" TFT-LCD 1600nits Sunlight Readable Touch Monitor with Projected Capacitive Touch, 1x DisplayPort, 1x HDMI, 1x VGA
CS-110HC-R11/M1101-R10	10.4" TFT-LCD 1500nits Sunlight Readable Touch Monitor with Projected Capacitive Touch, 1x DisplayPort, 1x HDMI, 1x VGA

CS-112HC-R11/M1101-R10	12.1" TFT-LCD 1500nits Sunlight Readable Touch Monitor with Projected Capacitive Touch, 1x DisplayPort, 1x HDMI, 1x VGA
CS-115C-R11/M1101-R10	15" TFT-LCD 1600nits Sunlight Readable Touch Monitor with Projected Capacitive Touch, 1x DisplayPort, 1x HDMI, 1x VGA
CS-117C-R11/M1101-R10	17" TFT-LCD 1500nits Sunlight Readable Touch Monitor with Projected Capacitive Touch, 1x DisplayPort, 1x HDMI, 1x VGA
CS-119C-R11/M1101-R10	19" TFT-LCD 1600nits Sunlight Readable Touch Monitor with Projected Capacitive Touch, 1x DisplayPort, 1x HDMI, 1x VGA
CS-W121C-R10/M1101-R10	21.5" TFT-LCD 1000nits Sunlight Readable Touch Monitor with Projected Capacitive Touch, 1x DisplayPort, 1x HDMI, 1x VGA
CS-W124C-R10/M1101-R10	24" TFT-LCD 1500nits Sunlight Readable Touch Monitor with Projected Capacitive Touch, 1x DisplayPort, 1x HDMI, 1x VGA



Chapter 1

Product Introductions

1.1 Overview

The Cincoze CS-100/M1101 series sunlight-readable industrial touch monitors are specifically designed for outdoor applications. The highest brightness is 1,800 nits and there is a selection of screen sizes, ratios, and brightnesses. The CS-100/M1101 is the best choice for outdoor kiosk displays and HMI applications because it is rugged and enables easy on-site maintenance. A variety of input interfaces are supported, including HDMI and DisplayPort digital inputs, and VGA analog input. The monitor has a multi-language OSD and supports multiple installation methods, including panel, VESA, and rack mount, to cater to the varied deployment requirements of different outdoor application scenarios.

- 8.4~24" TFT-LCD with Ultra High Brightness up to 1,600 nits and 800 x 600 (SVGA) Resolution
- Designed with Aluminum Die-Casting Front Frame
- Various Video Input Interfaces: 1x VGA, 1x HDMI, 1x DisplayPort Input
- Support USB & RS-232 Interfaces for Touch Function
- OSD Control keys for Brightness Adjustment
- Convertible Display System (CDS) Supported
- True Flat IP65 Front Panel Protection
- Support Panel / VESA / Rack Mount



Complete Range of Sizes

The CS-100/M1101 series provides a variety of screen sizes from 8.4 to 24 inches, supports up to Full HD resolution, has a high brightness backlight display of up to 1,800 nits, and has a multi-point projective capacitive touchscreen, which can be selected according to application requirements.



CDS Patented Technology

The patented CDS technology makes field side maintenance and future upgrades simpler and more cost-effective because a single part of the system can be replaced instead of replacing the whole thing.

Patent No. M482908

Multiple Display Inputs

The CS-100/M1101 series has three display inputs, including HDMI and DisplayPort digital inputs, and VGA analog input to cater to the display requirements of the industrial field.



Wide Temp Support, Safe, and Reliable

The CS-100/M1101 series has industrial-grade protections, including wide temperature support (-20°C to 70°C) and a dust- and water-resistant IP65 front panel to face harsh operating environments. In pursuit of ever higher product safety, the CS-100/M1101 series has also undergone rigorous testing to pass UL certification for product safety.

1.2 Specifications

1.2.1 CS-108C/M1101

The table on this page refers to the specifications of CS-108C alone.

Model Name	CS-108C
Display	
LCD Size	• 8.4" (4:3)
Max. Resolution	• 800 x 600
Brightness	• 1600
Contract Ratio	• 600 : 1
LCD Color	• 16.2M
Pixel Pitch	• 0.213 (H) x 0.213 (V)
Viewing Angle	• 160 (H) / 140 (V)
Backlight MTBF	• 50,000 hrs(LED Backlight)
Touchscreen	
Touchscreen Type	• Projected Capacitive Touch
Physical	
Dimension (WxDxH)	• 262 x 186.2 x 56.2mm
Weight	• 1.58kg
Construction	• Flat Rugged Aluminum Die-casting Bezel
Environment	
Front Panel Protection	• IP 65 Compliant
Operating Temperature	• Ambient with Air flow: -20°C to 70°C (extended temperature peripherals)
Storage Temperature	• -20°C to 70°C
Relative Humidity	• 85% RH @ 40°C (non-condensing)
EMC	• CE, UKCA, FCC, ICES-003 Class A

The table below refers to the specifications of M1101 alone.

Model Name	M1101
Graphics	
HDMI-in	• 1x HDMI Connector (1920 x 1080 @60Hz)
DP-in	• 1x DisplayPort Connector (1920 x 1080 @60Hz)
VGA-in	• 1x VGA Connector (1920 x 1080 @60Hz)
Audio	
Audio input	• 1x Audio Line in, Phone Jack 3.5mm
I/O	
COM	• 1x RS-232, DB9
USB	• 1x 480Mbps USB 2.0, Type A
Other Function	
OSD Button	• Menu, Auto, LCD On/Off, Brightness Up, Brightness Down
Internal Speaker	• AMP 2W + 2W
Status LED Indicator	• Power LED, Standby LED
Power	
Power Input	• 9 - 48VDC, 3-pin Terminal Block
Physical	
Dimension (W x D x H)	• 204.5 X 149 X 38.5 mm
Weight Information	• 1.2 kg
Mechanical Construction	• Extruded Aluminum with Heavy Duty Metal
Mounting	• VESA / CDS Mounting
Physical Design	• Fanless Design • Jumper-less Design
Reliability & Protection	
Reverse Power Input Protection	• Yes
Over Voltage Protection	• Protection Range: 51-58V • Protection Type: shut down operating voltage, re-power on at the present level to recover
Over Current Protection	• 15A
MTBF	• 1,217,359 hrs • - Database: Telcordia SR-332 Issue 3, Method 1, Case 3
Environment	
Operating Temperature	• -20°C to 70°C • Ambient with air flow • According to IEC60068-2-1, IEC60068-2-2, IEC60068-2-14
Storage Temperature	• -20°C to 75°C
Relative Humidity	• 95%RH @ 70°C (non-Condensing)

Shock	<ul style="list-style-type: none"> • Operating, 15 Grms (according to IEC60068-2-27)
Vibration	<ul style="list-style-type: none"> • Operating, 1.5 Grms, 5-500 Hz, 3 Axes (according to IEC60068-2-64) • Operating, 1 Grms, 10-500 Hz, 3 Axes (according to IEC60068-2-6)
EMC	<ul style="list-style-type: none"> • CE, UKCA, FCC, ICES-003 Class A • EN61000-6-4, EN61000-6-2 (24VDC Input Only)
Safety	<ul style="list-style-type: none"> • UL, cUL, CB, IEC, EN 62368-1

** Product Specifications and features are for reference only and are subject to change without prior notice. For more information, please refer to the latest product datasheet from Cincoze's website.*

1.2.2 CS-110HC/M1101

The table on this page refers to the specifications of CS-110HC alone.

Model Name	CS-110HC
Display	
LCD Size	• 10.4" (4:3)
Max. Resolution	• 1024 x 768
Brightness	• 1500
Contract Ratio	• 1400 : 1
LCD Color	• 16.2M
Pixel Pitch	• 0.206 (H) x 0.206 (V)
Viewing Angle	• 178 (H) / 178 (V)
Backlight MTBF	• 50,000 hrs(LED Backlight)
Touchscreen	
Touch Type	• Projected Capacitive
Physical	
Dimension (WxDxH)	• 295 x 227.3 x 56.2mm
Weight	• 2.24kg
Mechanical Construction	• Flat Rugged Aluminum Die-casting Bezel
Environment	
Front Panel Protection	• IP 65 Compliant
Operating Temperature	• Ambient with Air flow: -20°C to 70°C (extended temperature peripherals)
Storage Temperature	• -20°C to 70°C
Relative Humidity	• 80% RH @ 40°C (non-condensing)
EMC	• CE, UKCA, FCC, ICES-003 Class A

The table below refers to the specifications of M1101 alone.

Model Name	M1101
Graphics	
HDMI-in	• 1x HDMI Connector (1920 x 1080 @60Hz)
DP-in	• 1x DisplayPort Connector (1920 x 1080 @60Hz)
VGA-in	• 1x VGA Connector (1920 x 1080 @60Hz)
Audio	
Audio input	• 1x Audio Line in, Phone Jack 3.5mm
I/O	
COM	• 1x RS-232, DB9
USB	• 1x 480Mbps USB 2.0, Type A
Other Function	
OSD Button	• Menu, Auto, LCD On/Off, Brightness Up, Brightness Down
Internal Speaker	• AMP 2W + 2W
Status LED Indicator	• Power LED, Standby LED
Power	
Power Input	• 9 - 48VDC, 3-pin Terminal Block
Physical	
Dimension (W x D x H)	• 204.5 X 149 X 38.5 mm
Weight Information	• 1.2 kg
Mechanical Construction	• Extruded Aluminum with Heavy Duty Metal
Mounting	• VESA / CDS Mounting
Physical Design	• Fanless Design • Jumper-less Design
Reliability & Protection	
Reverse Power Input Protection	• Yes
Over Voltage Protection	• Protection Range: 51-58V • Protection Type: shut down operating voltage, re-power on at the present level to recover
Over Current Protection	• 15A
MTBF	• 1,217,359 hrs • - Database: Telcordia SR-332 Issue 3, Method 1, Case 3
Environment	
Operating Temperature	• -20°C to 70°C • Ambient with air flow • According to IEC60068-2-1, IEC60068-2-2, IEC60068-2-14
Storage Temperature	• -20°C to 75°C
Relative Humidity	• 95%RH @ 70°C (non-Condensing)

Shock	<ul style="list-style-type: none"> • Operating, 15 Grms (according to IEC60068-2-27)
Vibration	<ul style="list-style-type: none"> • Operating, 1.5 Grms, 5-500 Hz, 3 Axes (according to IEC60068-2-64) • Operating, 1 Grms, 10-500 Hz, 3 Axes (according to IEC60068-2-6)
EMC	<ul style="list-style-type: none"> • CE, UKCA, FCC, ICES-003 Class A • EN61000-6-4, EN61000-6-2 (24VDC Input Only)
Safety	<ul style="list-style-type: none"> • UL, cUL, CB, IEC, EN 62368-1

** Product Specifications and features are for reference only and are subject to change without prior notice. For more information, please refer to the latest product datasheet from Cincoze's website.*

1.2.3 CS-112HC/M1101

The table on this page refers to the specifications of CS-112HC alone.

Model Name	CS-112HC
Display	
LCD Size	• 12.1" (4:3)
Max. Resolution	• 1024 x 768
Brightness	• 1500
Contract Ratio	• 700 : 1
LCD Color	• 16.2M
Pixel Pitch	• 0.24 (H) x 0.24 (V)
Viewing Angle	• 160 / 160
Backlight MTBF	• 30,000 hrs (LED Backlight)
Touchscreen	
Touch Type	• Projected Capacitive
Physical	
Dimension (WxDxH)	• 345 x 265.3 x 57 mm
Weight	• 3.16 kg
Construction	• Flat Rugged Aluminum Die-casting Bezel
Environment	
Front Panel Protection	• IP 65 Compliant
Operating Temperature	• Ambient with Air flow: -20°C to 70°C (extended temperature peripherals)
Storage Temperature	• -20°C to 70°C
Relative Humidity	• 80% RH @ 40°C (non-condensing)
EMC	• CE, UKCA, FCC, ICES-003 Class A

The table below refers to the specifications of M1101 alone.

Model Name	M1101
Graphics	
HDMI-in	• 1x HDMI Connector (1920 x 1080 @60Hz)
DP-in	• 1x DisplayPort Connector (1920 x 1080 @60Hz)
VGA-in	• 1x VGA Connector (1920 x 1080 @60Hz)
Audio	
Audio input	• 1x Audio Line in, Phone Jack 3.5mm
I/O	
COM	• 1x RS-232, DB9
USB	• 1x 480Mbps USB 2.0, Type A
Other Function	
OSD Button	• Menu, Auto, LCD On/Off, Brightness Up, Brightness Down
Internal Speaker	• AMP 2W + 2W
Status LED Indicator	• Power LED, Standby LED
Power	
Power Input	• 9 - 48VDC, 3-pin Terminal Block
Physical	
Dimension (W x D x H)	• 204.5 X 149 X 38.5 mm
Weight Information	• 1.2 kg
Mechanical Construction	• Extruded Aluminum with Heavy Duty Metal
Mounting	• VESA / CDS Mounting
Physical Design	• Fanless Design • Jumper-less Design
Reliability & Protection	
Reverse Power Input Protection	• Yes
Over Voltage Protection	• Protection Range: 51-58V • Protection Type: shut down operating voltage, re-power on at the present level to recover
Over Current Protection	• 15A
MTBF	• 1,217,359 hrs • - Database: Telcordia SR-332 Issue 3, Method 1, Case 3
Environment	
Operating Temperature	• -20°C to 70°C • Ambient with air flow • According to IEC60068-2-1, IEC60068-2-2, IEC60068-2-14
Storage Temperature	• -20°C to 75°C
Relative Humidity	• 95%RH @ 70°C (non-Condensing)

Shock	<ul style="list-style-type: none"> • Operating, 15 Grms (according to IEC60068-2-27)
Vibration	<ul style="list-style-type: none"> • Operating, 1.5 Grms, 5-500 Hz, 3 Axes (according to IEC60068-2-64) • Operating, 1 Grms, 10-500 Hz, 3 Axes (according to IEC60068-2-6)
EMC	<ul style="list-style-type: none"> • CE, UKCA, FCC, ICES-003 Class A • EN61000-6-4, EN61000-6-2 (24VDC Input Only)
Safety	<ul style="list-style-type: none"> • UL, cUL, CB, IEC, EN 62368-1

** Product Specifications and features are for reference only and are subject to change without prior notice. For more information, please refer to the latest product datasheet from Cincoze's website.*

1.2.4 CS-115C/M1101

The table on this page refers to the specifications of CS-115C alone.

Model Name	CS-115C
Display	
LCD Size	• 15" (4:3)
Max. Resolution	• 1024 x 768
Brightness	• 1600
Contract Ratio	• 800 : 1
LCD Color	• 16.2M
Pixel Pitch	• 0.297 (H) x 0.297(V)
Viewing Angle	• 160 / 150
Backlight MTBF	• 50,000 hrs (LED Backlight)
Touchscreen	
Touchscreen Type	• Projected Capacitive Touch
Physical	
Dimension (WxDxH)	• 408 x 312.4 x 59.2 mm
Weight	• 4.36kg
Construction	• Flat Rugged Aluminum Die-casting Bezel
Environment	
Front Panel Protection	• IP 65 Compliant
Operating Temperature	• Ambient with Air flow: -20°C to 70°C (extended temperature peripherals)
Storage Temperature	• -20°C to 70°C
Relative Humidity	• 80% RH @ 40°C (non-condensing)
EMC	• CE, UKCA, FCC, ICES-003 Class A

The table below refers to the specifications of M1101 alone.

Model Name	M1101
Graphics	
HDMI-in	• 1x HDMI Connector (1920 x 1080 @60Hz)
DP-in	• 1x DisplayPort Connector (1920 x 1080 @60Hz)
VGA-in	• 1x VGA Connector (1920 x 1080 @60Hz)
Audio	
Audio input	• 1x Audio Line in, Phone Jack 3.5mm
I/O	
COM	• 1x RS-232, DB9
USB	• 1x 480Mbps USB 2.0, Type A
Other Function	
OSD Button	• Menu, Auto, LCD On/Off, Brightness Up, Brightness Down
Internal Speaker	• AMP 2W + 2W
Status LED Indicator	• Power LED, Standby LED
Power	
Power Input	• 9 - 48VDC, 3-pin Terminal Block
Physical	
Dimension (W x D x H)	• 204.5 X 149 X 38.5 mm
Weight Information	• 1.2 kg
Mechanical Construction	• Extruded Aluminum with Heavy Duty Metal
Mounting	• VESA / CDS Mounting
Physical Design	• Fanless Design • Jumper-less Design
Reliability & Protection	
Reverse Power Input Protection	• Yes
Over Voltage Protection	• Protection Range: 51-58V • Protection Type: shut down operating voltage, re-power on at the present level to recover
Over Current Protection	• 15A
MTBF	• 1,217,359 hrs • - Database: Telcordia SR-332 Issue 3, Method 1, Case 3
Environment	
Operating Temperature	• -20°C to 70°C • Ambient with air flow • According to IEC60068-2-1, IEC60068-2-2, IEC60068-2-14
Storage Temperature	• -20°C to 75°C
Relative Humidity	• 95%RH @ 70°C (non-Condensing)

Shock	<ul style="list-style-type: none"> • Operating, 15 Grms (according to IEC60068-2-27)
Vibration	<ul style="list-style-type: none"> • Operating, 1.5 Grms, 5-500 Hz, 3 Axes (according to IEC60068-2-64) • Operating, 1 Grms, 10-500 Hz, 3 Axes (according to IEC60068-2-6)
EMC	<ul style="list-style-type: none"> • CE, UKCA, FCC, ICES-003 Class A • EN61000-6-4, EN61000-6-2 (24VDC Input Only)
Safety	<ul style="list-style-type: none"> • UL, cUL, CB, IEC, EN 62368-1

** Product Specifications and features are for reference only and are subject to change without prior notice. For more information, please refer to the latest product datasheet from Cincoze's website.*

1.2.5 CS-117C/M1101

The table on this page refers to the specifications of CS-117C series alone.

Model Name	CS-117C
Display	
LCD Size	• 17" (5:4)
Max. Resolution	• 1280 x 1024
Brightness	• 1500
Contract Ratio	• 800 : 1
LCD Color	• 16.7M
Pixel Pitch	• 0.264 (H) x 0.264 (V)
Viewing Angle	• 160 / 140
Backlight MTBF	• 50,000 hrs (LED Backlight)
Touchscreen	
Touchscreen Type	• Projected Capacitive Touch
Physical	
Dimension (WxDxH)	• 450 x 350 x 63.2mm
Weight	• 5.64 kg
Construction	• Flat Rugged Aluminum Die-casting Bezel
Environment	
Front Panel Protection	• IP 65 Compliant
Operating Temperature	• Ambient with Air flow: -20°C to 70°C (extended temperature peripherals)
Storage Temperature	• -20°C to 70°C
Relative Humidity	• 80% RH @ 40°C (non-condensing)
EMC	• CE, UKCA, FCC, ICES-003 Class A

The table below refers to the specifications of M1101 alone.

Model Name	M1101
Graphics	
HDMI-in	• 1x HDMI Connector (1920 x 1080 @60Hz)
DP-in	• 1x DisplayPort Connector (1920 x 1080 @60Hz)
VGA-in	• 1x VGA Connector (1920 x 1080 @60Hz)
Audio	
Audio input	• 1x Audio Line in, Phone Jack 3.5mm
I/O	
COM	• 1x RS-232, DB9
USB	• 1x 480Mbps USB 2.0, Type A
Other Function	
OSD Button	• Menu, Auto, LCD On/Off, Brightness Up, Brightness Down
Internal Speaker	• AMP 2W + 2W
Status LED Indicator	• Power LED, Standby LED
Power	
Power Input	• 9 - 48VDC, 3-pin Terminal Block
Physical	
Dimension (W x D x H)	• 204.5 X 149 X 38.5 mm
Weight Information	• 1.2 kg
Mechanical Construction	• Extruded Aluminum with Heavy Duty Metal
Mounting	• VESA / CDS Mounting
Physical Design	• Fanless Design • Jumper-less Design
Reliability & Protection	
Reverse Power Input Protection	• Yes
Over Voltage Protection	• Protection Range: 51-58V • Protection Type: shut down operating voltage, re-power on at the present level to recover
Over Current Protection	• 15A
MTBF	• 1,217,359 hrs • - Database: Telcordia SR-332 Issue 3, Method 1, Case 3
Environment	
Operating Temperature	• -20°C to 70°C • Ambient with air flow • According to IEC60068-2-1, IEC60068-2-2, IEC60068-2-14
Storage Temperature	• -20°C to 75°C
Relative Humidity	• 95%RH @ 70°C (non-Condensing)

Shock	<ul style="list-style-type: none"> • Operating, 15 Grms (according to IEC60068-2-27)
Vibration	<ul style="list-style-type: none"> • Operating, 1.5 Grms, 5-500 Hz, 3 Axes (according to IEC60068-2-64) • Operating, 1 Grms, 10-500 Hz, 3 Axes (according to IEC60068-2-6)
EMC	<ul style="list-style-type: none"> • CE, UKCA, FCC, ICES-003 Class A • EN61000-6-4, EN61000-6-2 (24VDC Input Only)
Safety	<ul style="list-style-type: none"> • UL, cUL, CB, IEC, EN 62368-1

** Product Specifications and features are for reference only and are subject to change without prior notice. For more information, please refer to the latest product datasheet from Cincoze's website.*

1.2.6 CS-119C/M1101

The table on this page refers to the specifications of CS-119C alone.

Model Name	CS-119C
Display	
LCD Size	• 19" (5:4)
Max. Resolution	• 1280 x 1024
Brightness	• 1600
Contract Ratio	• 1000 : 1
LCD Color	• 16.7M
Pixel Pitch	• 0.294 (H) x 0.294 (V)
Viewing Angle	• 170 / 160
Backlight MTBF	• 50,000 hrs (LED Backlight)
Touchscreen	
Touch Type	• Projected Capacitive
Physical	
Dimension (WxDxH)	• 510 x 389.3 x 63.2 mm
Weight	• 6.96 kg
Construction	• Flat Rugged Aluminum Die-casting Bezel
Environment	
Front Panel Protection	• IP 65 Compliant
Operating Temperature	• Ambient with Air flow: -20°C to 70°C (extended temperature peripherals)
Storage Temperature	• -20°C to 70°C
Relative Humidity	• 80% RH @ 40°C (non-condensing)
EMC	• CE, UKCA, FCC, ICES-003 Class A
Safety	• UL, cUL, CB

The table below refers to the specifications of M1101 alone.

Model Name	M1101
Graphics	
HDMI-in	• 1x HDMI Connector (1920 x 1080 @60Hz)
DP-in	• 1x DisplayPort Connector (1920 x 1080 @60Hz)
VGA-in	• 1x VGA Connector (1920 x 1080 @60Hz)
Audio	
Audio input	• 1x Audio Line in, Phone Jack 3.5mm
I/O	
COM	• 1x RS-232, DB9
USB	• 1x 480Mbps USB 2.0, Type A
Other Function	
OSD Button	• Menu, Auto, LCD On/Off, Brightness Up, Brightness Down
Internal Speaker	• AMP 2W + 2W
Status LED Indicator	• Power LED, Standby LED
Power	
Power Input	• 9 - 48VDC, 3-pin Terminal Block
Physical	
Dimension (W x D x H)	• 204.5 X 149 X 38.5 mm
Weight Information	• 1.2 kg
Mechanical Construction	• Extruded Aluminum with Heavy Duty Metal
Mounting	• VESA / CDS Mounting
Physical Design	• Fanless Design • Jumper-less Design
Reliability & Protection	
Reverse Power Input Protection	• Yes
Over Voltage Protection	• Protection Range: 51-58V • Protection Type: shut down operating voltage, re-power on at the present level to recover
Over Current Protection	• 15A
MTBF	• 1,217,359 hrs • - Database: Telcordia SR-332 Issue 3, Method 1, Case 3
Environment	
Operating Temperature	• -20°C to 70°C • Ambient with air flow • According to IEC60068-2-1, IEC60068-2-2, IEC60068-2-14
Storage Temperature	• -20°C to 75°C
Relative Humidity	• 95%RH @ 70°C (non-Condensing)

Shock	<ul style="list-style-type: none"> • Operating, 15 Grms (according to IEC60068-2-27)
Vibration	<ul style="list-style-type: none"> • Operating, 1.5 Grms, 5-500 Hz, 3 Axes (according to IEC60068-2-64) • Operating, 1 Grms, 10-500 Hz, 3 Axes (according to IEC60068-2-6)
EMC	<ul style="list-style-type: none"> • CE, UKCA, FCC, ICES-003 Class A • EN61000-6-4, EN61000-6-2 (24VDC Input Only)
Safety	<ul style="list-style-type: none"> • UL, cUL, CB, IEC, EN 62368-1

** Product Specifications and features are for reference only and are subject to change without prior notice. For more information, please refer to the latest product datasheet from Cincoze's website.*

1.2.7 CS-W121C/M1101

The table on this page refers to the specifications of CS-W121C alone.

Model Name	CS-W121C
Display	
LCD Size	• 21.5" (16:9)
Max. Resolution	• 1920x1080 (Full HD)
Brightness	• 1000
Contract Ratio	• 5000 : 1
LCD Color	• 16.7M
Pixel Pitch	• 0.24825 (H) x 0.24825 (V)
Viewing Angle	• 178/178
Backlight MTBF	• 50,000 hrs (LED Backlight)
Touchscreen	
Touch Type	• Projected Capacitive
Physical	
Dimension (WxDxH)	• 550 x 330.5 x 63.2mm
Weight	• 5.56 kg
Construction	• Flat Rugged Aluminum Die-casting Bezel
Environment	
Front Panel Protection	• IP 65 Compliant
Operating Temperature	• Ambient with Air flow: 0°C to 70°C (extended temperature peripherals)
Storage Temperature	• -20°C to 70°C
Relative Humidity	• 90% RH @ 39°C (non-condensing)
EMC	• CE, UKCA, FCC, ICES-003 Class A
Safety	• UL, cUL, CB

The table below refers to the specifications of M1101 alone.

Model Name	M1101
Graphics	
HDMI-in	• 1x HDMI Connector (1920 x 1080 @60Hz)
DP-in	• 1x DisplayPort Connector (1920 x 1080 @60Hz)
VGA-in	• 1x VGA Connector (1920 x 1080 @60Hz)
Audio	
Audio input	• 1x Audio Line in, Phone Jack 3.5mm
I/O	
COM	• 1x RS-232, DB9
USB	• 1x 480Mbps USB 2.0, Type A
Other Function	
OSD Button	• Menu, Auto, LCD On/Off, Brightness Up, Brightness Down
Internal Speaker	• AMP 2W + 2W
Status LED Indicator	• Power LED, Standby LED
Power	
Power Input	• 9 - 48VDC, 3-pin Terminal Block
Physical	
Dimension (W x D x H)	• 204.5 X 149 X 38.5 mm
Weight Information	• 1.2 kg
Mechanical Construction	• Extruded Aluminum with Heavy Duty Metal
Mounting	• VESA / CDS Mounting
Physical Design	• Fanless Design • Jumper-less Design
Reliability & Protection	
Reverse Power Input Protection	• Yes
Over Voltage Protection	• Protection Range: 51-58V • Protection Type: shut down operating voltage, re-power on at the present level to recover
Over Current Protection	• 15A
MTBF	• 1,217,359 hrs • - Database: Telcordia SR-332 Issue 3, Method 1, Case 3
Environment	
Operating Temperature	• -20°C to 70°C • Ambient with air flow • According to IEC60068-2-1, IEC60068-2-2, IEC60068-2-14
Storage Temperature	• -20°C to 75°C
Relative Humidity	• 95%RH @ 70°C (non-Condensing)

Shock	<ul style="list-style-type: none"> • Operating, 15 Grms (according to IEC60068-2-27)
Vibration	<ul style="list-style-type: none"> • Operating, 1.5 Grms, 5-500 Hz, 3 Axes (according to IEC60068-2-64) • Operating, 1 Grms, 10-500 Hz, 3 Axes (according to IEC60068-2-6)
EMC	<ul style="list-style-type: none"> • CE, UKCA, FCC, ICES-003 Class A • EN61000-6-4, EN61000-6-2 (24VDC Input Only)
Safety	<ul style="list-style-type: none"> • UL, cUL, CB, IEC, EN 62368-1

** Product Specifications and features are for reference only and are subject to change without prior notice. For more information, please refer to the latest product datasheet from Cincoze's website.*

1.2.8 CS-W124C/M1101

The table on this page refers to the specifications of CS-W124C series alone.

Model Name	CS-W124C
Display	
LCD Size	• 24" (16:9)
Max. Resolution	• 1920x1080
Brightness	• 1500
Contract Ratio	• 5000 : 1
LCD Color	• 16.7M
Pixel Pitch	• 0.27675 (H) x 0.27675 (V)
Viewing Angle	• 178/178
Backlight MTBF	• 50,000 hrs (LED Backlight)
Touchscreen	
Touch Type	• Projected Capacitive
Physical	
Dimension (WxDxH)	• 605 x 373 x 63.2 mm
Weight	• 6.64 kg
Construction	• Flat Rugged Aluminum Die-casting Bezel
Environment	
Front Panel Protection	• IP 65 Compliant
Operating Temperature	• Ambient with Air flow: -20°C to 70°C (extended temperature peripherals)
Storage Temperature	• -20°C to 70°C
Relative Humidity	• 80% RH @ 50°C (non-condensing)
EMC	• CE, UKCA, FCC, ICES-003 Class A
Safety	• UL, cUL, CB

The table below refers to the specifications of M1101 alone.

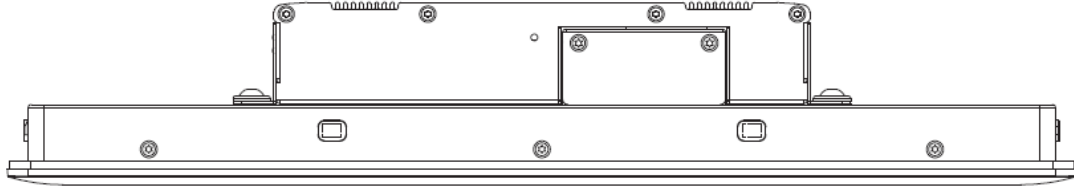
Model Name	M1101
Graphics	
HDMI-in	• 1x HDMI Connector (1920 x 1080 @60Hz)
DP-in	• 1x DisplayPort Connector (1920 x 1080 @60Hz)
VGA-in	• 1x VGA Connector (1920 x 1080 @60Hz)
Audio	
Audio input	• 1x Audio Line in, Phone Jack 3.5mm
I/O	
COM	• 1x RS-232, DB9
USB	• 1x 480Mbps USB 2.0, Type A
Other Function	
OSD Button	• Menu, Auto, LCD On/Off, Brightness Up, Brightness Down
Internal Speaker	• AMP 2W + 2W
Status LED Indicator	• Power LED, Standby LED
Power	
Power Input	• 9 - 48VDC, 3-pin Terminal Block
Physical	
Dimension (W x D x H)	• 204.5 X 149 X 38.5 mm
Weight Information	• 1.2 kg
Mechanical Construction	• Extruded Aluminum with Heavy Duty Metal
Mounting	• VESA / CDS Mounting
Physical Design	• Fanless Design • Jumper-less Design
Reliability & Protection	
Reverse Power Input Protection	• Yes
Over Voltage Protection	• Protection Range: 51-58V • Protection Type: shut down operating voltage, re-power on at the present level to recover
Over Current Protection	• 15A
MTBF	• 1,217,359 hrs • - Database: Telcordia SR-332 Issue 3, Method 1, Case 3
Environment	
Operating Temperature	• -20°C to 70°C • Ambient with air flow • According to IEC60068-2-1, IEC60068-2-2, IEC60068-2-14
Storage Temperature	• -20°C to 75°C
Relative Humidity	• 95%RH @ 70°C (non-Condensing)

Shock	<ul style="list-style-type: none"> • Operating, 15 Grms (according to IEC60068-2-27)
Vibration	<ul style="list-style-type: none"> • Operating, 1.5 Grms, 5-500 Hz, 3 Axes (according to IEC60068-2-64) • Operating, 1 Grms, 10-500 Hz, 3 Axes (according to IEC60068-2-6)
EMC	<ul style="list-style-type: none"> • CE, UKCA, FCC, ICES-003 Class A • EN61000-6-4, EN61000-6-2 (24VDC Input Only)
Safety	<ul style="list-style-type: none"> • UL, cUL, CB, IEC, EN 62368-1

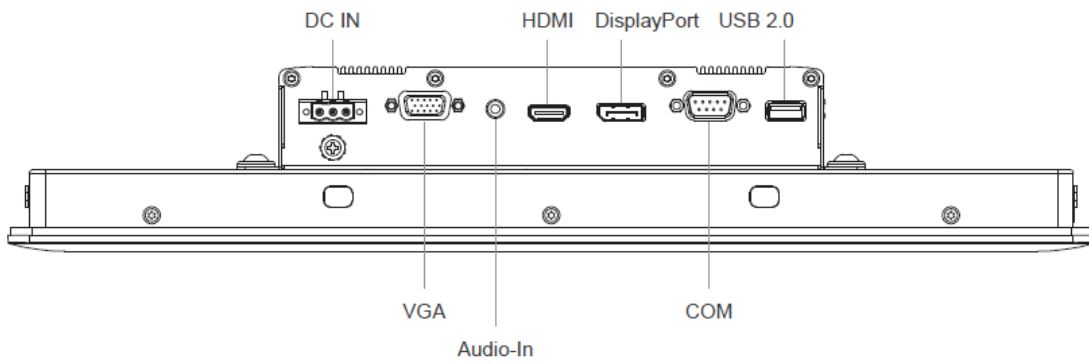
** Product Specifications and features are for reference only and are subject to change without prior notice. For more information, please refer to the latest product datasheet from Cincoze's website.*

1.3 External Layout

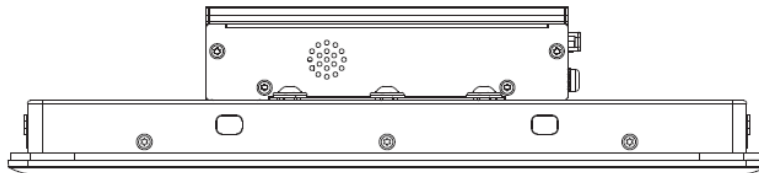
1.3.1 Front



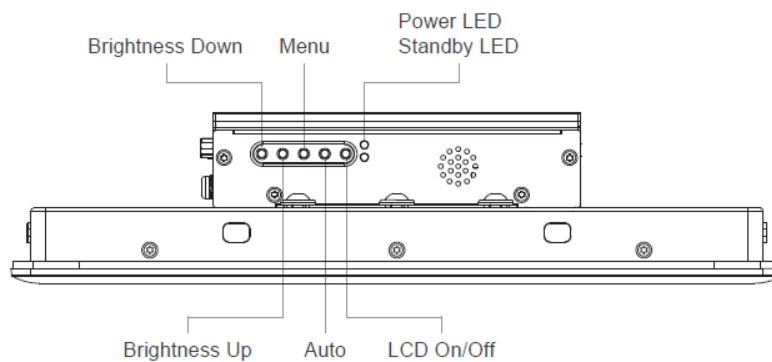
1.3.2 Rear



1.3.3 Left



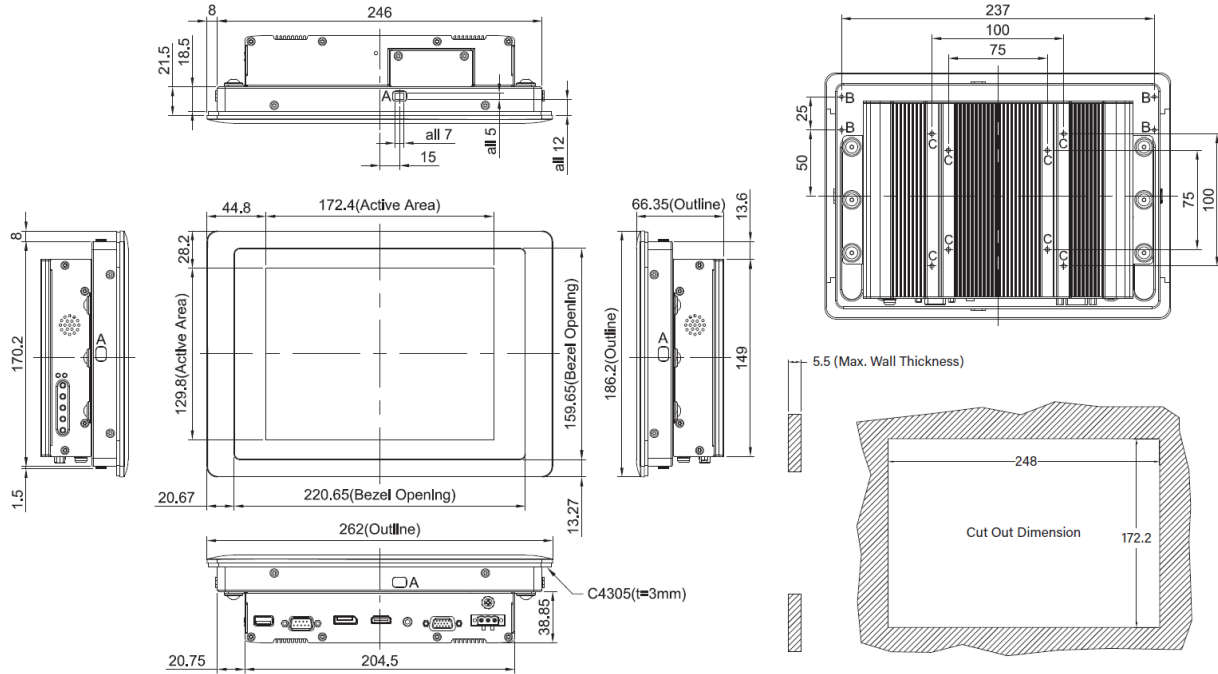
1.3.4 Right



1.4 Dimensions

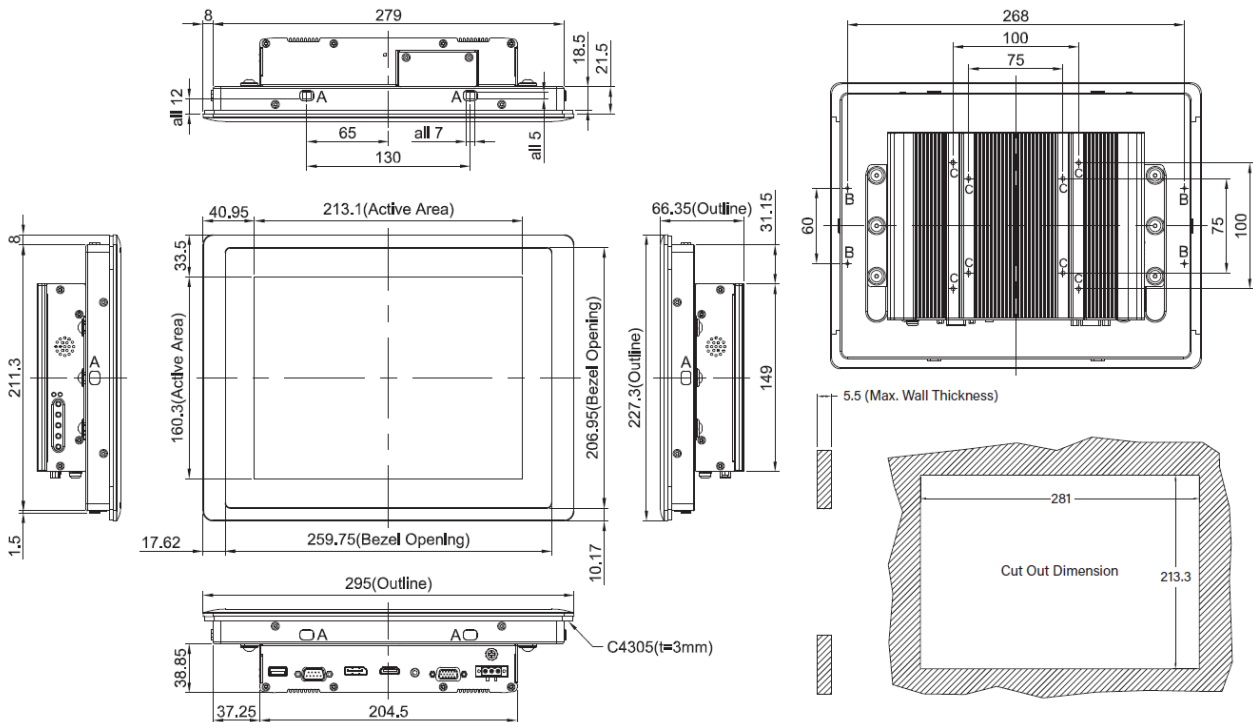
1.4.1 CS-108C/M1101

mm



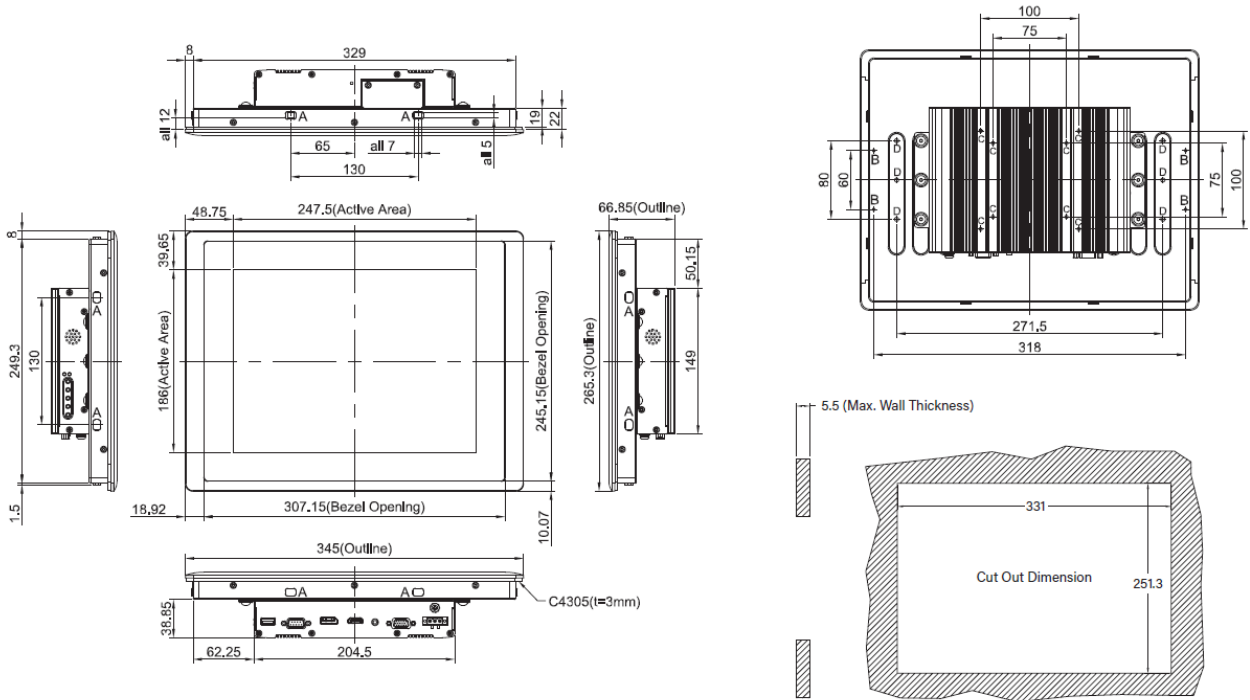
1.4.2 CS-110HC/M1101

mm



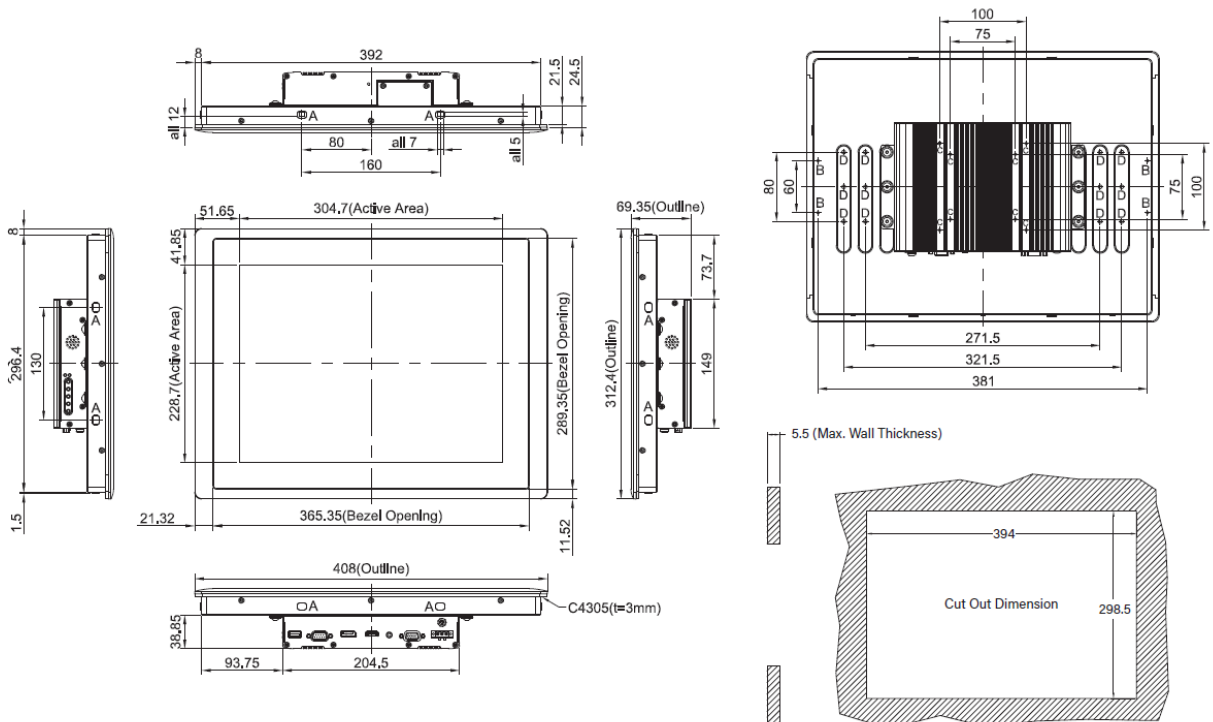
1.4.3 CS-112HC/M1101

mm



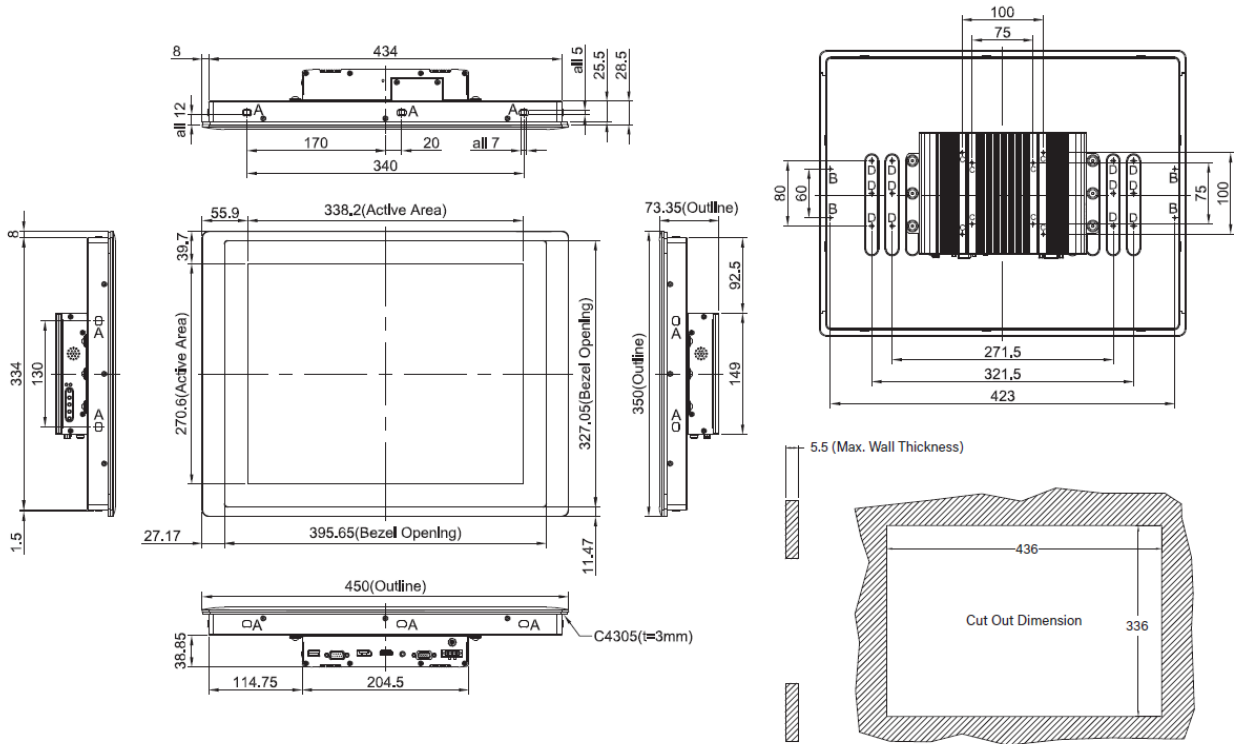
1.4.4 CS-115C/M1101

mm



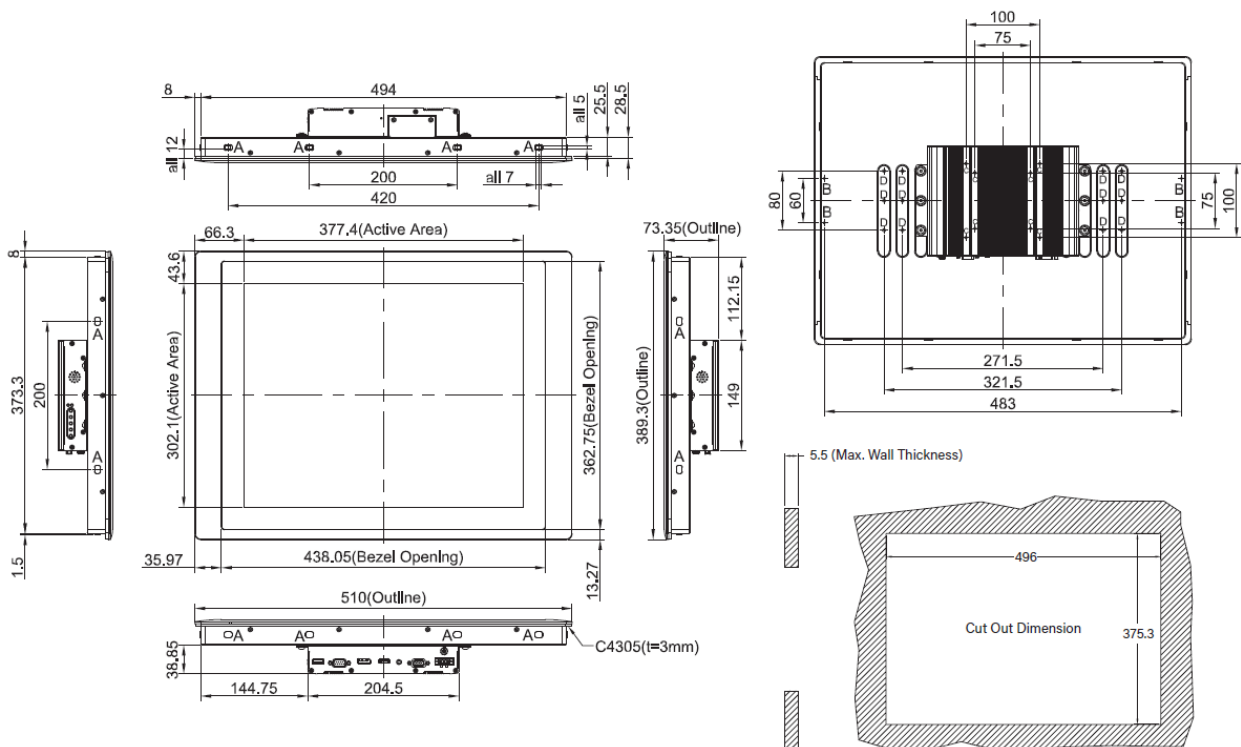
1.4.5 CS-117C/M1101


mm



1.4.6 CS-119C/M1101

mm





Chapter 2
Introduction to
Switches and
Connectors on
Monitor Module

2.1 Switches and Connectors Location

2.1.1 Rear Panel









Switches & Connector	Definition
DC IN	DC +9V-48V Power Connector
VGA	A standard 15-pin female VGA connector used to connect the monitor to the system graphics interface.
Audio-in	Used to connect an audio cable.
HDMI	An HDMI connector used to connect the monitor to the system graphics interface.
DP	A DP connector used to connect the monitor to the system graphics interface.
COM	This is a COM Port for Touch Panel Connector (Resistive Touch Only), a standard RS-232 DB-9 female touch panel connector used to connect the monitor to the system interface.
USB2.0	This is a USB Port for Touch Panel Connector, a standard USB touch panel connector used to connect the monitor to the system interface.



2.1.2 Right Panel





Switches & Connector	Definition
Brightness Down	OSD (On Screen Display) Function: Used to turn down the brightness on the screen display, or to decrease the value of selected item.
Brightness Up	OSD (On Screen Display) Function: Used to turn up the brightness on the screen display, or to increase the value of selected item.
Menu	OSD (On Screen Display) Function: Press this button to turn on/off the OSD main menu. Press this button to activate selected items.
Auto	OSD (On Screen Display) Function: Press to auto adjust the optimal frequency of horizontal and vertical.
LCD On/Off	OSD (On Screen Display) Function: Press to turn-on or turn-off the display.
Power LED	Indicates the power status of the monitor.
Standby LED	Indicates the power status of the monitor.

2.2 OSD Function Description

OSD Menu	Description
 <p>Picture</p>	<ul style="list-style-type: none"> • Backlight • Brightness • Contrast • Sharpness • Exit
 <p>Display</p>	<ul style="list-style-type: none"> • Auto Adjust • H Position (Horizontal) • V Position (Vertical) • Clock • Phase • White Balance • Exit
 <p>Color</p>	<ul style="list-style-type: none"> • Temperature • Color Effect • Hue • Saturation • Exit
 <p>Input</p>	<ul style="list-style-type: none"> • Auto Select • A0: VGA • D0: DP • D1: HDMI
 <p>Audio</p>	<ul style="list-style-type: none"> • Volume • Mute • Audio Source • Exit
 <p>Other</p>	<ul style="list-style-type: none"> • Reset • Menu Time • OSD H Position • OSD V Position • Language • Transparency • Rotate • Exit

 <p>Information</p>	Base on LCD type information
 <p>Exit</p>	Exit the main menu

** If using HDMI or DisplayPort connection, all options within the "Display" menu are unavailable.*



Chapter 3

System Setup

3.1 Installing CDS Mount



WARNING
(AVERTIR)

In order to prevent electric shock or system damage, must turn off power and disconnect the unit from power source before removing the chassis cover.

(Afin d'éviter tout risque d'électrocution ou d'endommagement du système, vous devez couper l'alimentation et débrancher l'appareil de la source d'alimentation avant de retirer le couvercle du châssis.)

This chapter takes the convertible monitor module (M1101) and display module (CS-115C) for demonstration purposes.

Step 1. Locate the module connector slot and loosen the 1 screw.



Step 2. Turn over the module and loosen 2 screws at the back of the connector cover.



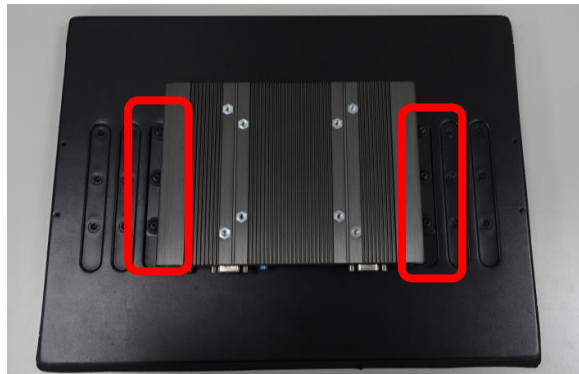
Step 3. Locate the male connector (on the display module).



Step 4. Locate the female connector on the Convertible Monitor Module and then connect the modules.



Step 5. Have the studs screwed to the display module through the holes of the Convertible Monitor Module.



3.2 Installing VESA Mount

This chapter takes the convertible monitor module (M1101) and display module (CS-115C) for demonstration purposes. The following picture indicates the VESA mounting hole pattern on the top side of M1101, which is compliant with the VESA mounting standard.



Step 1. Put on the VESA stand, aligning the holes on the stand with the holes on the top side of M1101.

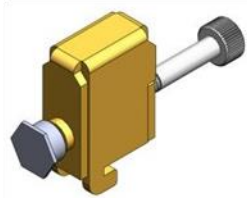


Step 2. Fasten the eight screws as indicated to securely mount the assembled modules onto a VESA stand.

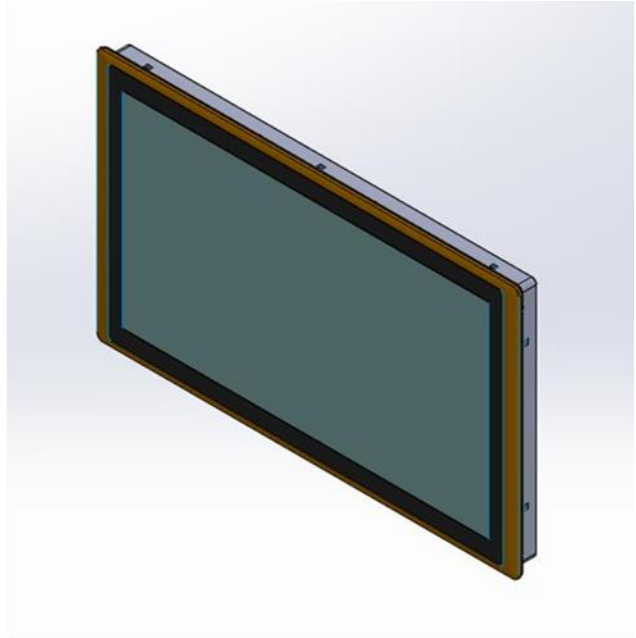


3.3 Installing Panel Mount

Step 1. Accessories provided by Cincoze are as below. Before assembly, please prepare panel mount PPC and customer's fixture. (Please note that the quantity of mounting kits varies with the size of the display module, please refer to the datasheet for the actual quantity)

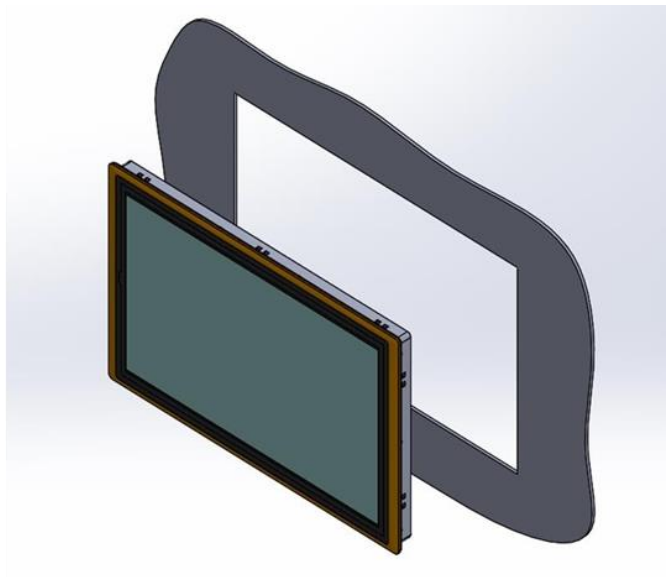


Mounting Kits

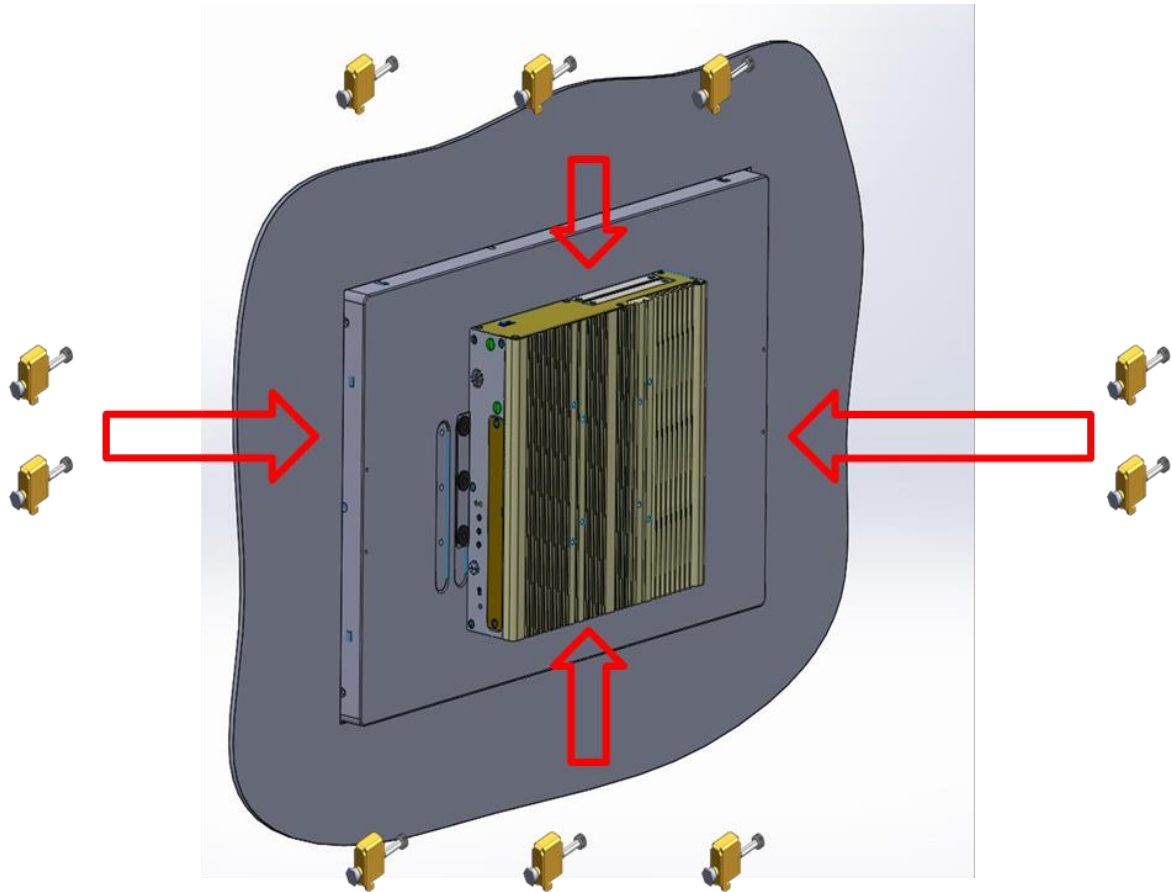


Panel Mount PPC

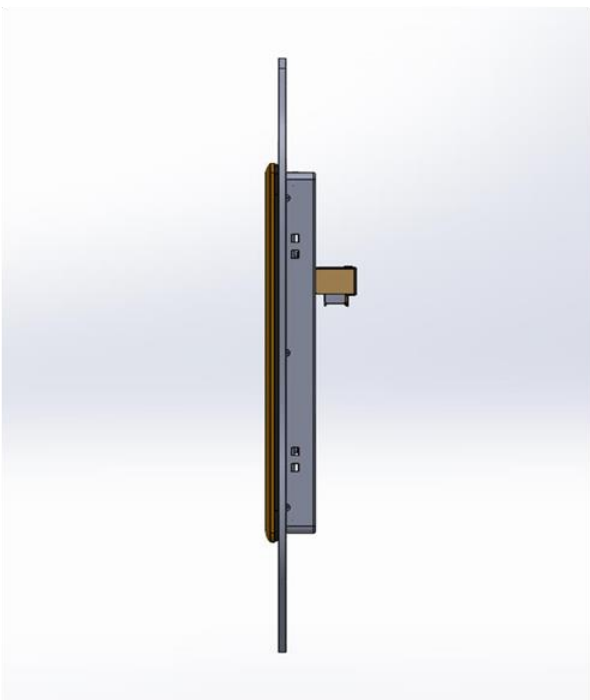
Panel Mount with customer's fixture
(Front View)



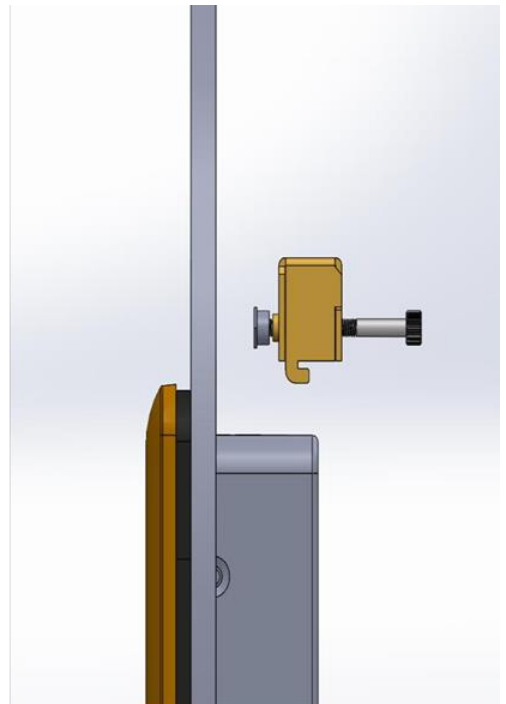
Step 2. All mounting kits displayed are to be inserted into holes.



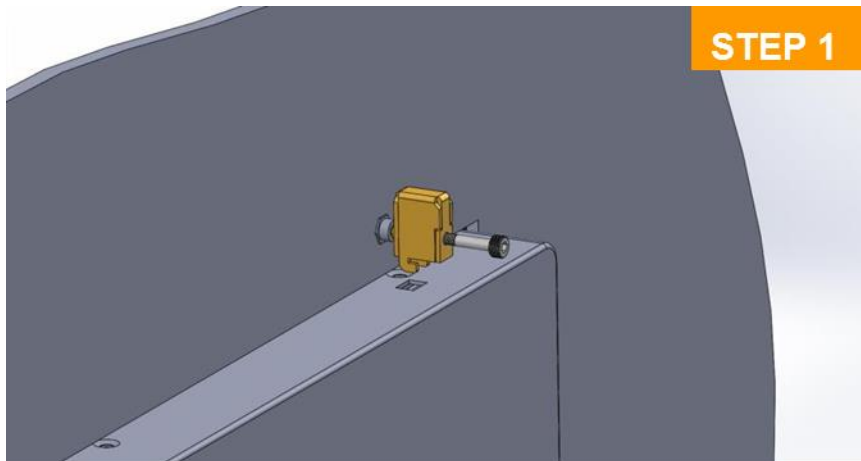
Step 3. Installation preparation and steps.



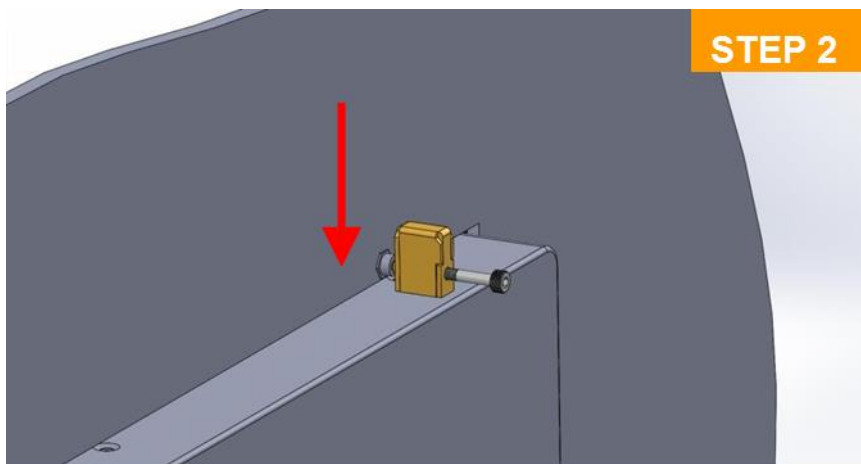
Panel mount side view with LVDS connector



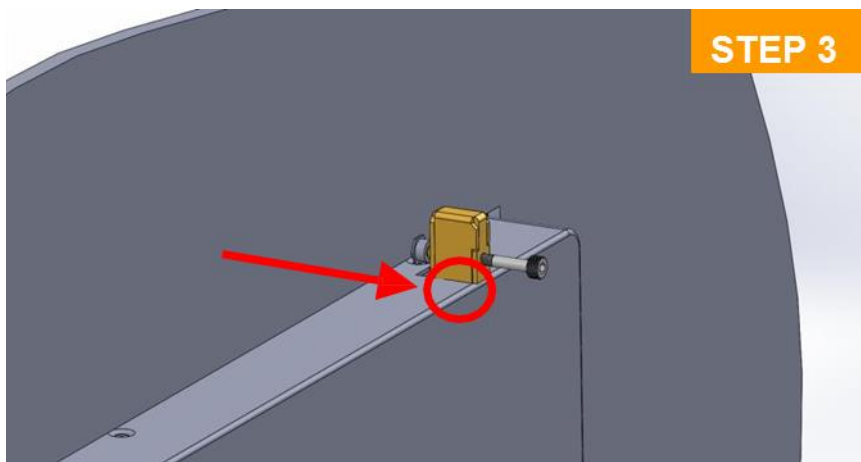
Before Mounting Kits are installed



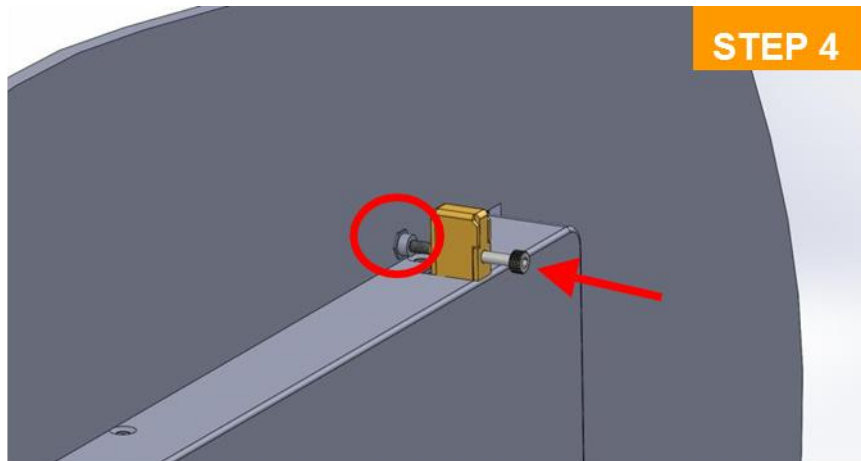
Position panel mount kits



Insert the panel mounting kit into bottom hole

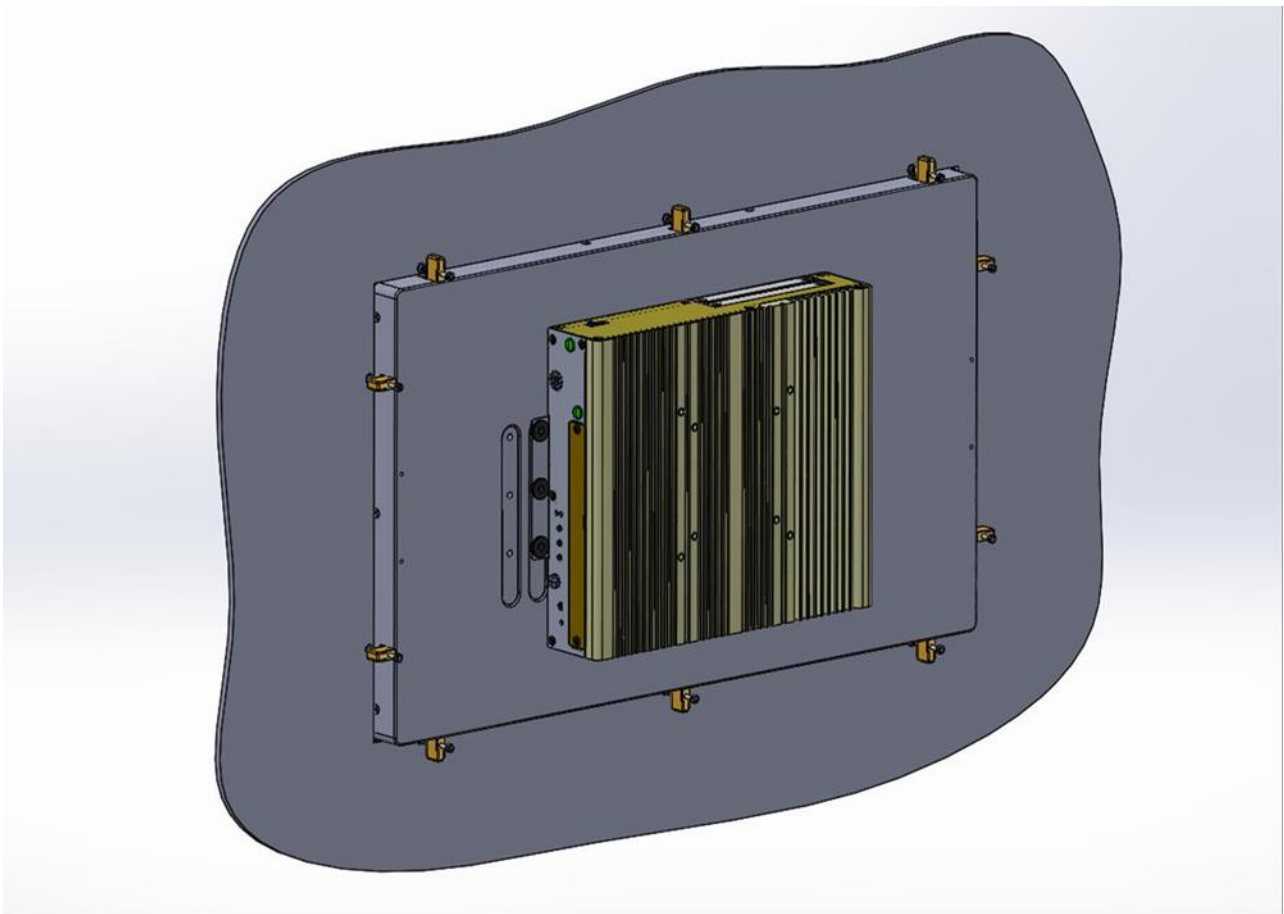


Slide the kit toward back



Tighten the screw forward until the front screw just touches the surface

Step 4. Apply all mount kits to the rest of holes. And you have completed the panel mount installation, as shown below.



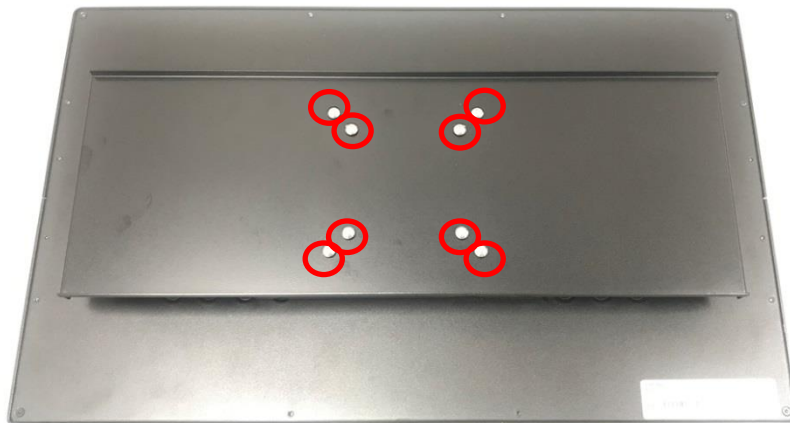
3.4 Installing Optional Accessories

3.4.1 URM01

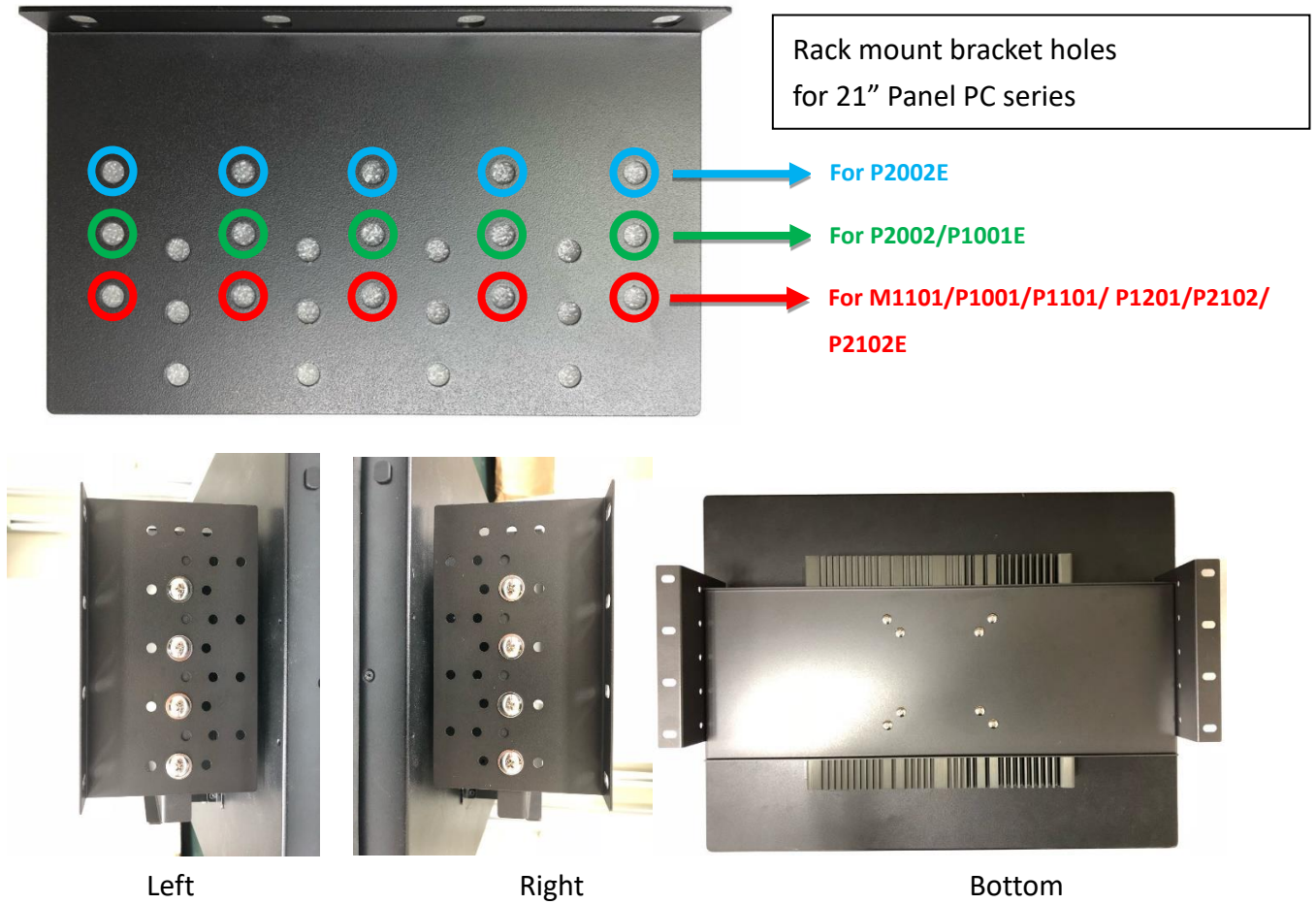
1. Locate the screw holes on the PC or monitor module.



2. Put on the rack mount base and fasten the screws.



3. Assemble two rack mount brackets by fastening 4 screws (M5x6) at each side.



4. Assemble two rack mount brackets by fastening 4 screws (M5x12), flat washers and hex nuts at each side.



cincoze

© 2023 Cincoze Co., Ltd. All rights reserved.

The Cincoze logo is a registered trademark of Cincoze Co., Ltd.

All other logos appearing in this catalog are the intellectual property of the respective company, product, or organization associated with the logo.

All product specifications and information are subject to change without notice.