

# SEM-DIO101

Scalable Expansion Module with 16x Isolated DIO (8-in/8-out), 20-pin Terminal Block, 1 Deck



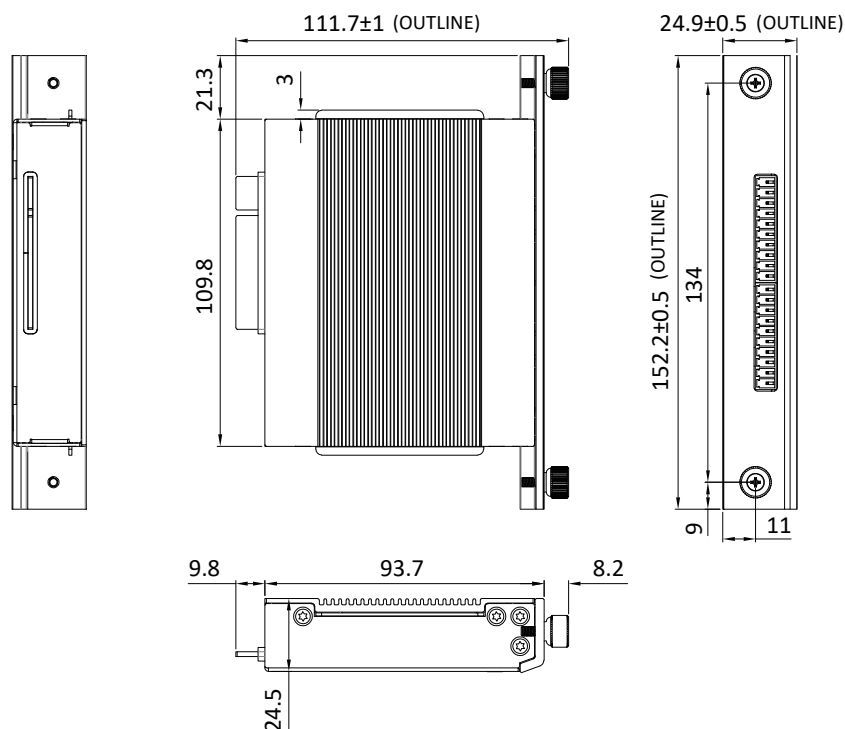
- Tool-free Plug-and-play Design
- Optical Isolated Design
- Wide Range DC Power Input



## Specifications

Interface	• 1x PCIe x4 for Expansion Deck Installation
Digital I/O Port	• 16x Optical Isolated DIO (8DI, 8DO)
Connector Type	• 2x 10-pin Terminal Block, 3.5mm pitch
Optical Isolated DIO	• 3.75kV
Isolated Power Input	• 9 ~ 30VDC
Input Driving Sink Current	• Minimal: 1mA • Normal: 5mA
Dimension ( W x D x H )	• 24.9 x 111.7 x 152.2

## Dimensions



Unit: mm

## Ordering Information

### Available Models

Model No.	Description
SEM-DIO101-R10	Scalable Expansion Module with 16x Isolated DIO (8-in/8-out), 20-pin Terminal Block, 1 Deck

### Package Check List

- SEM-DIO101 Expansion Module x1
- Terminal Block Pack

## Compatible List

Model No.	Description
SED-201	2-Slot Scalable Expansion Deck, Supports up to 2 I/O Modules
SED-401	4-Slot Scalable Expansion Deck, Supports up to 4 I/O Modules
SED-402	4-Slot Scalable Expansion Deck, Supports up to 2 I/O Modules and 2 Storage Modules
SED-601	6-Slot Scalable Expansion Deck, Supports up to 4 I/O Modules and 2 Storage Modules