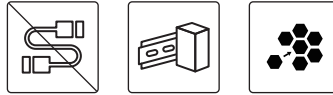


# SED-601

6-Slot Scalable Expansion Deck, Supports up to 4 I/O Modules and 2 Storage Modules



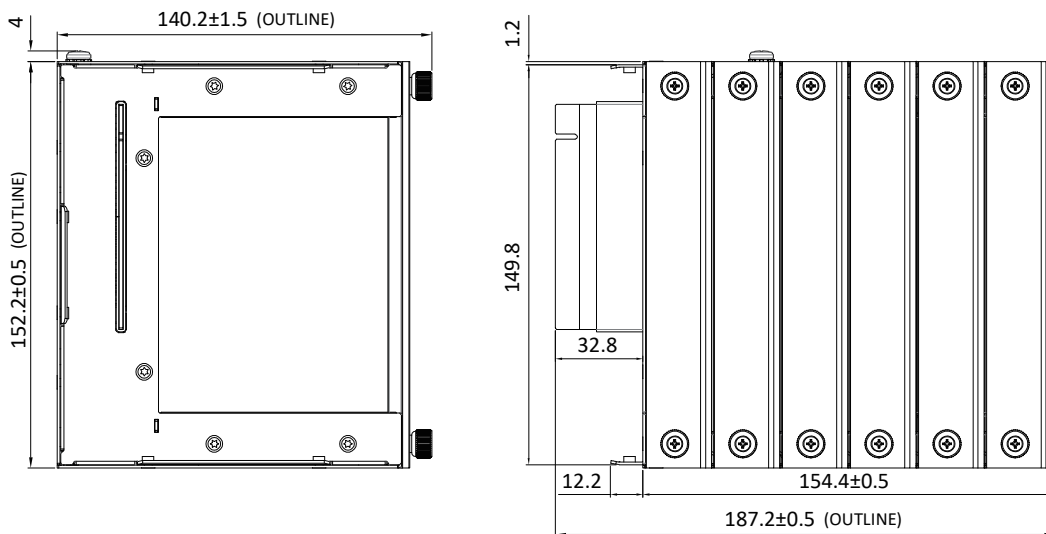
- Support 4 Scalable Expansion Module for I/O Module Expansion and 2 for Storage Module Expansion
- DIN Rail Mounting Supported



## Specifications

Computer-to-Deck Interface	• 1x PCIe16
Deck-to-Module Interface	• 4x PCIe4 Socket • 2x SATA 3.0 Connector
Weight Information (kg)	• 1.9
Dimension ( W x D x H )	• 187.2 x 140.2 x 152.2 mm

## Dimensions



Unit: mm

## Ordering Information

### Available Models

Model No.	Description
SED-601-R10	6-Slot Scalable Expansion Deck, Supports up to 4 I/O Modules and 2 Storage Modules

### Package Check List

• SED-601 Expansion Deck x1	• Screw Pack
-----------------------------	--------------

## Compatible List

### Computer System

Model No.	Platform
MD-3000	Intel® 14/13/12th Gen. Raptor Lake-S Refresh / Raptor Lake-S / Alder Lake-S Platform

### Scalable Expansion Module

Model No.	Function
SEM-LAN101	4x 1GbE LAN Port, RJ45 Connector
SEM-MLAN101	4x 1GbE LAN Ports, M12 A-Coded Connector
SEM-POE201	4x 1GbE PoE Ports, RJ45 Connector
SEM-MPOE201	4x 1GbE PoE Ports, M12 A-Coded Connector
SEM-10GLAN101	2x 10GbE LAN Ports, RJ45 Connector
SEM-10GPOE201	2x 10GbE PoE Ports, RJ45 Connector
SEM-USB101	4x USB3.2 Gen1 (5Gbps), USB Type-A Connector
SEM-COM101	2x RS-232/422/485, (Supports 5V/12V), DB9 Connector
SEM-ICOM101	2x Isolated RS-232/422/485, (Supports 5V/12V), DB9 Connector
SEM-DIO101	16x Isolated DIO (8-in/8-out), 20-pin Terminal Block
SEM-M2B101	1x M.2 Key B Socket, Type 2242/3052/2260/2280
SEM-M2E101	1x M.2 Key E Socket, Type 2230
SEM-SAT101	1x 2.5" HDD/SSD SATA Drive Bay, SATA 3.0 Connector