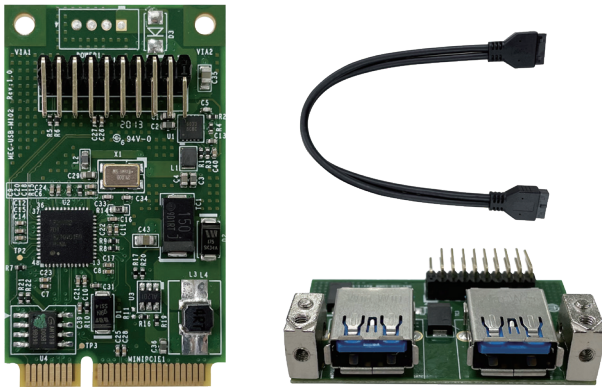
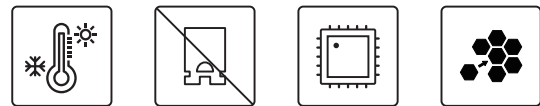


MEC-USB-M102

Mini-PCIe Module with 2x USB3.2 Gen1 Ports



- MEC (Mini PCIe Expansion Card) Technology
- 2x Super-speed USB Ports Expansion
- Support Hot-Swapping function

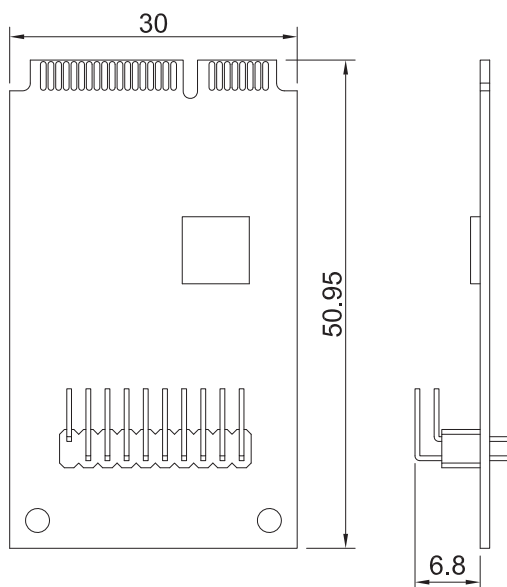


Specifications

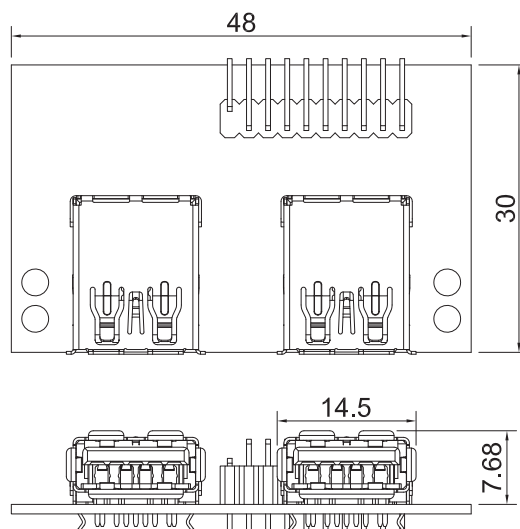
USB Port	2x USB3.2 Gen1 Ports
Connector Type	Standard A Type
Data Transfer Rate	1.5 / 12 / 480 / 5000Mbps
Power Consumption	Maximum 5V @ 900 mA Per Port
Dimension (W x D x H)	30.00 x 50.95 mm
Operating System	Windows® 10, Windows® 8, Windows® 7
Certification	CE, FCC Class A

Dimensions

Mini PCIe Card



USB I/O Card



Unit: mm

Ordering Information

Available Models

Model No.	Description
MEC-USB-M102 -30	Mini-PCIe Module with 2x USB 3.0 Ports, 2x 30cm cable

Package Checklist

• Mini PCIe Card x1	• USB Signal Cable x1
• USB I/O Card x1	• Quick Installation Guide x1
• Standard Full Height Bracket with 2x USB Cutout x1	• Screw Pack x1

Compatible List

Model No.	MEC-USB-M102-30
DE-1001	V
DE-1002	V
DS-1400 Series	V
DS-1300 Series	V
DS-1200 Series	V
DS-1100 Series	V
DV-1000	V
GM-1000	V
GP-3000	V
P1001E	V
P2000 Series	V
P2102E	V
P2202	V