

# CS-108

8.4" TFT-LCD Sunlight Readable Display Module with Projected Capacitive Touch



## SUNLIGHT READABLE DISPLAY MODULE

| CS-100 Series |

### Overview

[CONTACT](#)

CS-108 is 8.4" TFT-LCD touch display module. It offers 1,600 nits ultra high brightness and 800 x 600 (SVGA) resolution, allowing viewers to see clear images even under any bright ambient light or direct sunlight environments. CS-108 is a rugged and reliable display solution featuring wide range operating temperature, a solid aluminum die-casting front bezel and true flat IP 65 front panel protection. Supporting Convertible Display System (CDS) technology, CS-108 allows you to configure, upgrade and maintain your display system according to your need.

### Key Features

- 8.4" TFT-LCD with Projected Capacitive Touch
- Ultra High Brightness up to 1,600 nits
- Resolution up to 800 x 600 (SVGA)
- 50,000 hrs LED Backlight Life
- Wide Range Operating Temperature
- IP 65 Front Panel Protection
- Flat Rugged Aluminum Die-casting Bezel
- Convertible Display System (CDS) Technology Supported
- Safety: UL, cUL, CB, IEC, EN 62368-1

### Certifications

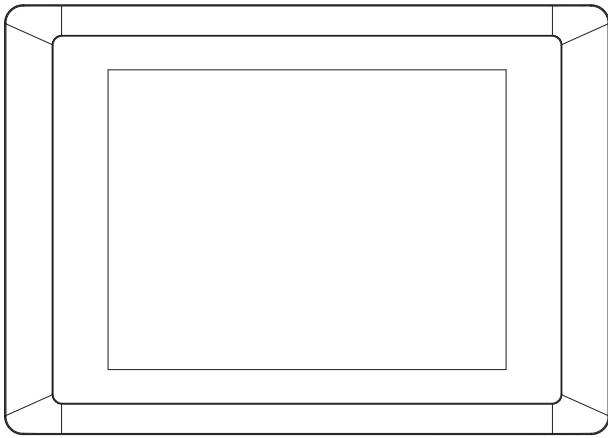


## Specifications

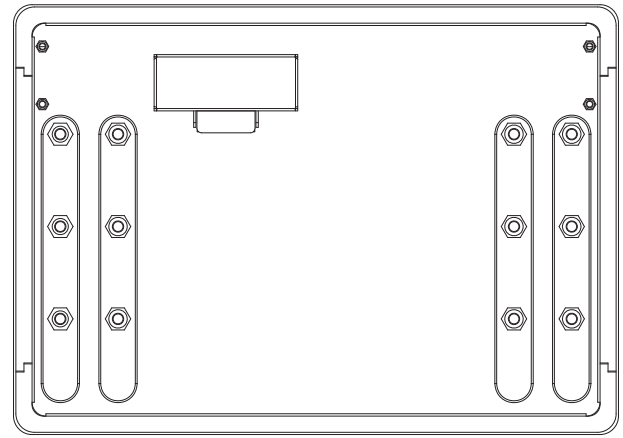
Model Name	CS-108
<b>Display</b>	
LCD Size	• 8.4" (4:3)
Max. Resolution	• 800 x 600
Brightness (cd/m2)	• 1600
Contrast Ratio	• 600 : 1
LCD Color	• 16.2M
Pixel Pitch (mm)	• 0.213 (H) x 0.213 (V)
Viewing Angle (H-V)	• 160 / 140
Backlight LED Life Time	• 50,000 hrs (LED Backlight)
<b>Touch Screen</b>	
Touch Type	• Projected Capacitive
<b>Physical</b>	
Dimension ( W x D x H )	• 262 x 186.2 x 56.2mm
Weight Information	• 1.58kg
Mechanical Construction	• Flat Rugged Aluminum Die-casting Bezel
<b>Power</b>	
Power Consumption	• 9.48W (Max.)
<b>Environment</b>	
Front Panel Protection	• IP 65 Compliant
Operating Temperature	• -20°C to 70°C (With Industrial Grade Peripherals; Ambient with air flow)
Storage Temperature	• -20°C to 70°C
Relative Humidity	• 85% RH @ 40°C (Non-condensing)
EMC	• CE, UKCA, FCC, ICES-003 Class A
EMI	<ul style="list-style-type: none"> <li>• CISPR 32 Conducted &amp; Radiated: Class A</li> <li>• EN/BS EN 55032 Conducted &amp; Radiated: Class A</li> <li>• EN/BS EN IEC 61000-3-2 Harmonic current emissions: Class A</li> <li>• EN/BS EN61000-3-3 Voltage fluctuations &amp; flicker</li> <li>• FCC 47 CFR Part 15B, ICES-003 Conducted &amp; Radiated: Class A</li> </ul>
EMS	<ul style="list-style-type: none"> <li>• EN/IEC 61000-4-2 ESD: Contact: 4 kV; Air: 8 kV</li> <li>• EN/IEC 61000-4-3 RS: 80 MHz to 1000 MHz: 3 V/m</li> <li>• EN/IEC 61000-4-4 EFT: AC Power: 1 kV; DC Power: 0.5 kV; Signal: 0.5 kV</li> <li>• EN/IEC 61000-4-5 Surges: AC Power: 2 kV; Signal: 1 kV</li> <li>• EN/IEC 61000-4-6 CS: 3V</li> <li>• EN/IEC 61000-4-8 PFMF: 50 Hz, 1A/m</li> <li>• EN/IEC 61000-4-11 Voltage Dips &amp; Voltage Interruptions: 0.5 cycles at 50 Hz</li> </ul>
Safety	• UL, cUL, CB, IEC, EN 62368-1

**External Layout**

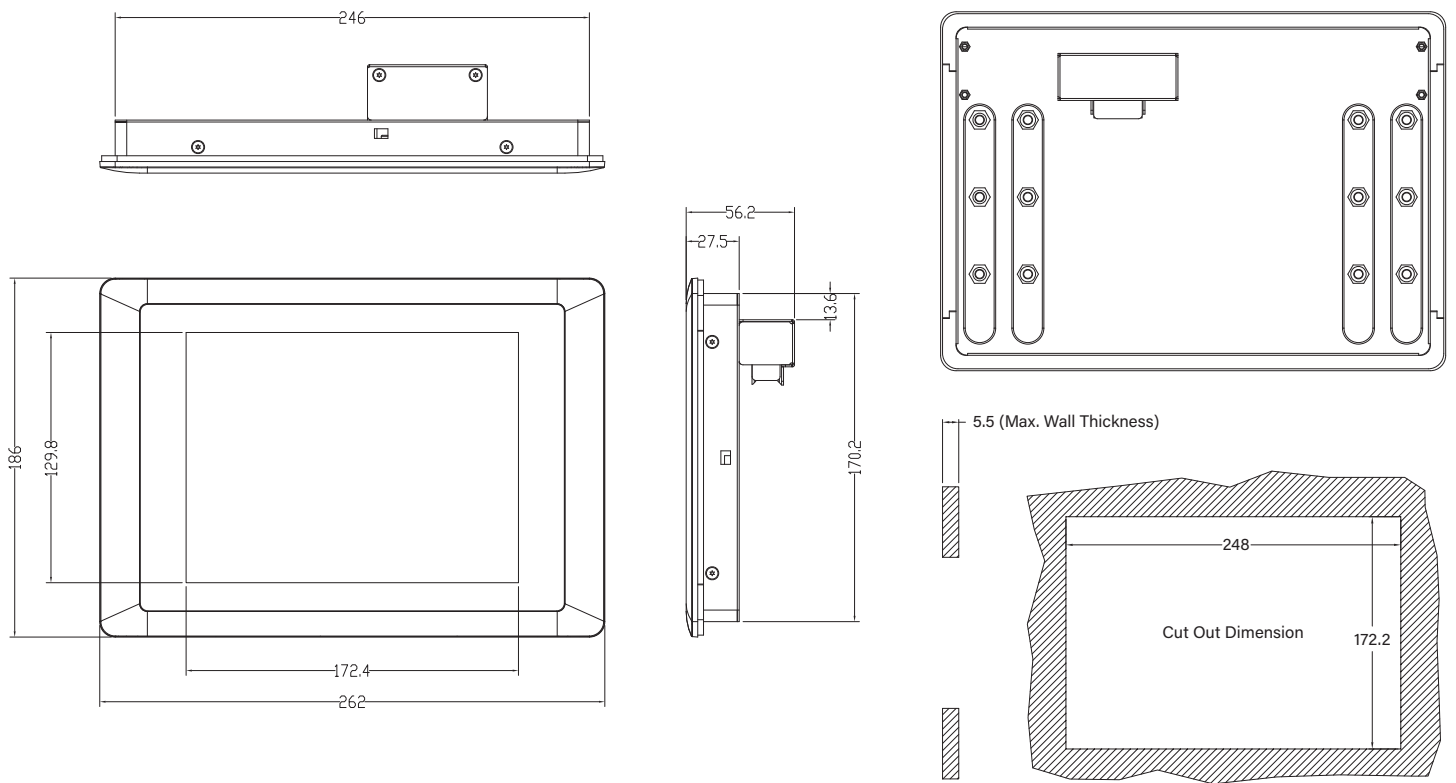
Front



Rear



**Dimensions**



Unit: mm

## Ordering Information

---

### Available Models

Model No.	Description
CS-108C-R10	8.4" TFT-LCD 1600 nits SVGA 4:3 Display Module with Projected Capacitive Touch

### Package Checklist

- 
- CS-108 Display Module x 1
  - Panel Mounting Kit x 1
-