

# RC-PIPI-01

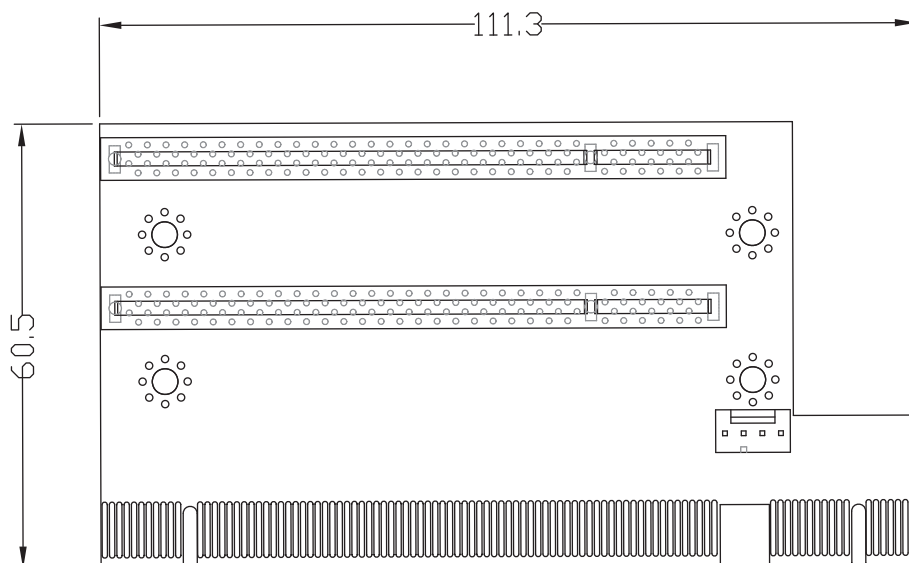
Riser Card with 2x PCI Slots



## Specifications

Expansion Slot	• 2x PCI Slots
Dimension (W x D)	• 111.3 x 60.5 mm

## Dimensions



Unit: mm

## Ordering Information

### Available Models

Model No.	Description
RC-PIPI-01	Riser Card with 2x PCI Slots

### Package Checklist

- Riser Card x1
- Screw Pack x1

## Compatible List

Product Series	Product Model
DS Series	DS-1102 DS-1202 DS-1302 DS-1402