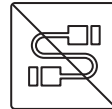
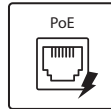


CFM-PoE02

CFM Module with PoE Function, Individual Port 25.5W



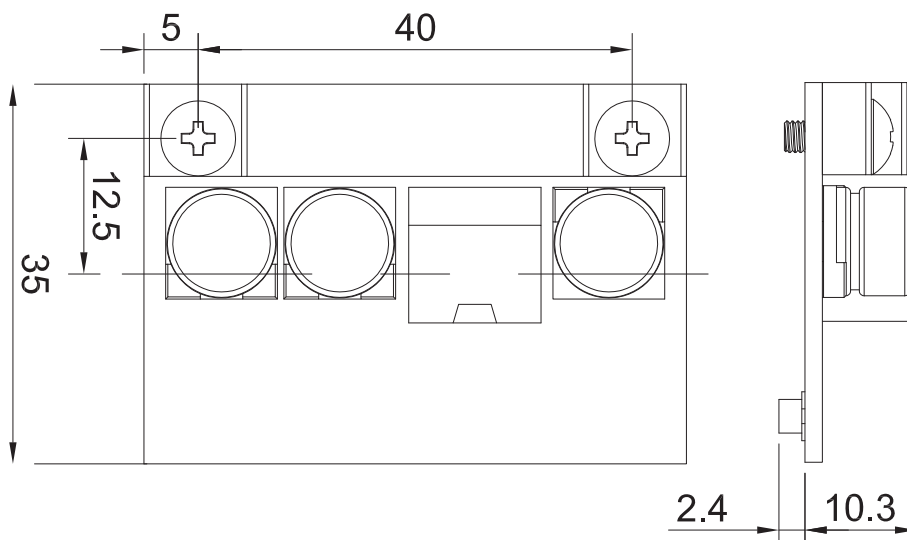
- CFM (Control Function Module) Technology
- Enable Power Over Ethernet Plus Function for CMI Module
- IEEE 802.3at Compliant
- Individual Port Support Up to 25.5W



Specifications

Interface	▪ CFM (Control Function Module) Interface
Function	▪ 2x Power over Ethernet Plus Ports (PoE+)
Power over Ethernet Standard	▪ IEEE 802.3at Compliant
Power Output	▪ Individual port 25.5W
Power Boost	▪ 50 ~ 57V
Dimension(W x D x H)	▪ 40 x 35 x 10.3 mm (With Heatsink)

Dimensions



Unit: mm

Ordering Information

Available Models

Model No.	Description
CFM-PoE02-R11	CFM Module with PoE Control Function, Individual Port 25.5W

Package Checklist

• Control Function Module x1	• Heatsink x1
• Thermal Pad Pack x1	• Screw Pack x1

Compatible List

Product Series	Product Model
DA Series	DA-1100
DC Series	DC-1200
P1000 Series	P1301 P1201 P1101