

# FAN-EX104

External Fan with 4pin Terminal Block Plug and Mounting Bracket, Support Smart Fan



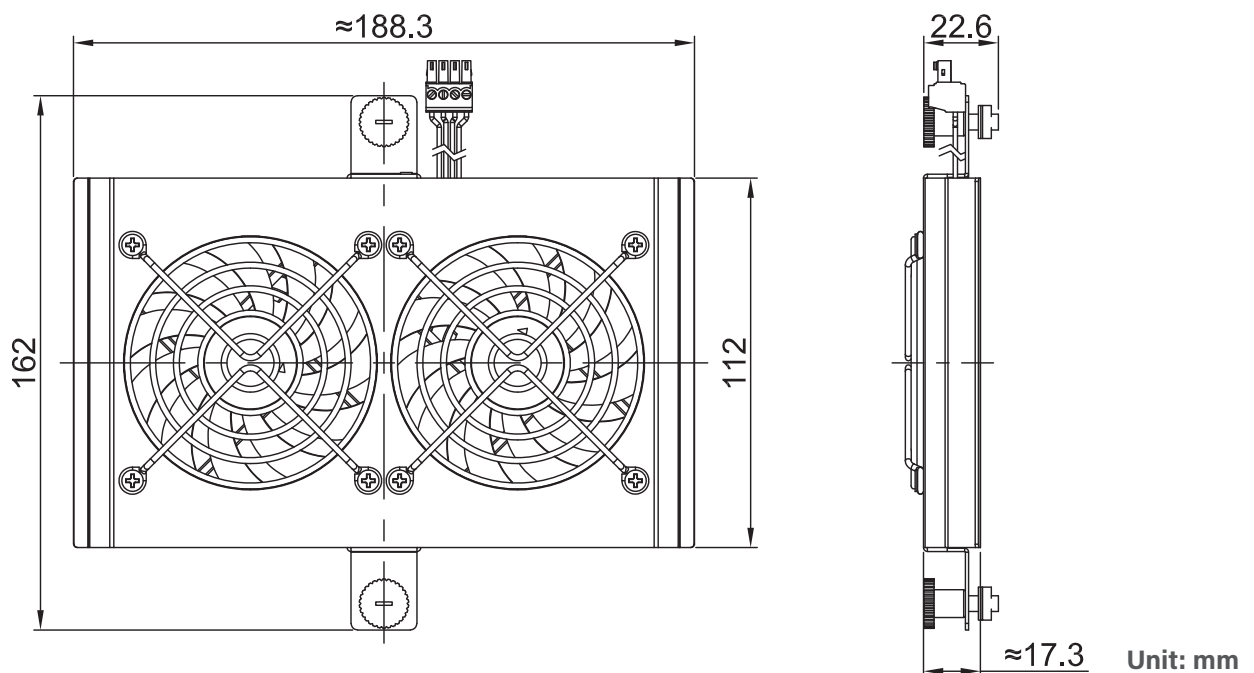
- External Fan Kit
- Easy Maintenance Design
- High Fan Speed For Greater Air Flow
- Support Smart Fan Function



## Specifications

Speed Reference	4000 RPM
Power Consumption	4.68 WATTS
Noise	35.7 dBA
Rated Voltage	12 VDC
Rated Current	0.35 AMP
Cable Length	16 cm
Interface	1x 4Pin Terminal Block
Dimension ( W x D x H )	188.3 x 162 x 22.6 mm

## Dimensions



## Ordering Information

### Available Models

<b>FAN-EX104</b>	External Fan with 4pin Terminal Block Plug and Mounting Bracket, Support Smart Fan
------------------	--

### Package Check List

- External Fan Kit x1

## Compatible List

Model No.	FAN-EX104
DV-1000	V
DV-1100	V