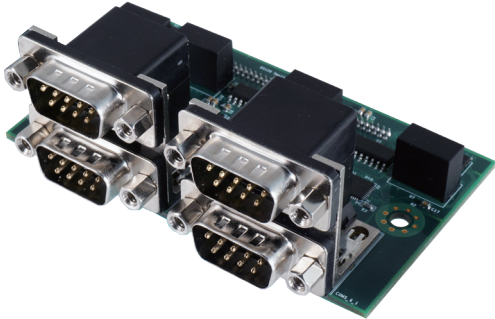
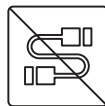


CMI-ICOM01

CMI Module with 4x Electrical Isolated RS-232 Serial Ports



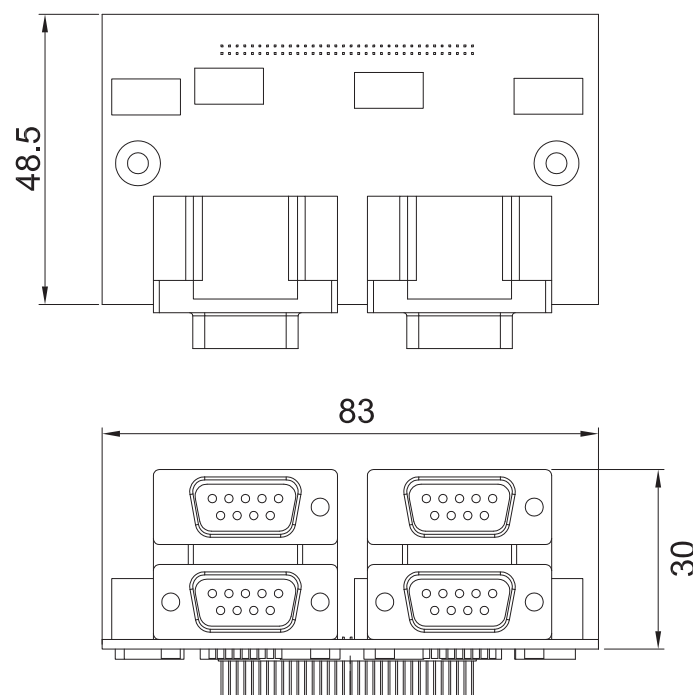
- CMI (Combined Multiple I/O) Technology
- Serial Standards : RS-232
- Electrical Isolated Serial Ports
- Supports up to 921.6 kbps



Specifications

Interface	CMI (Combined Multiple I/O) Interface
Serial Port	4x RS-232
Connector Type	DB9
Electrical Isolation	2.75KV rms
Baud Rate	921.6 Kbps
Dimension (W x D x H)	83.1 x 48.5 x 30 mm

Dimensions



Unit: mm

Ordering Information

Available Models

CMI-ICOM01 CMI Module with 4x Electrical Isolated RS-232 Serial Ports

Package Check List

- CMI Module x1
- Screw Pack x1

Compatible List

Model No.	CMI-ICOM01
DS-1200	V
DS-1201	V
DS-1202	V
DS-1300	V
DS-1301	V
DS-1302	V
DS-1400	V
DS-1401	V
DS-1402	V