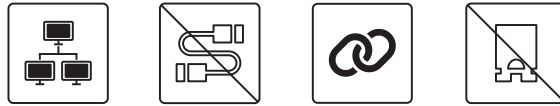


# CMI-10GLAN02

CMI Module with 2x Intel 10GbE LAN, RJ45 Port



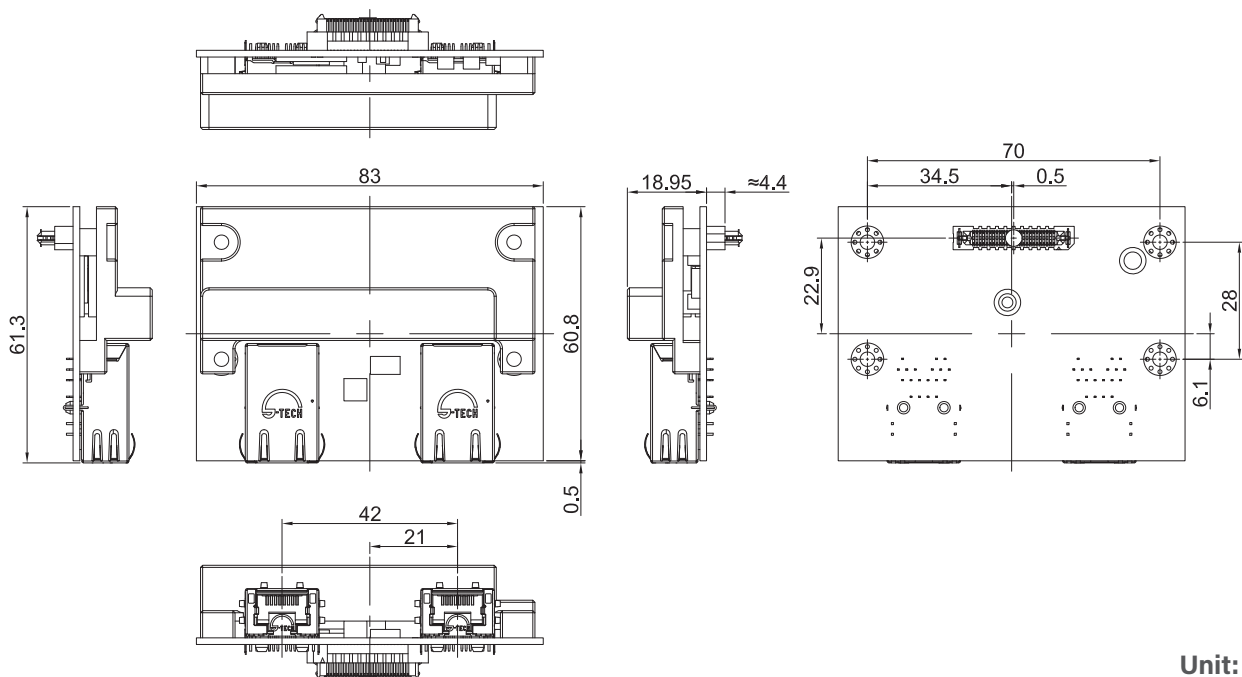
- CMI (Combined Multiple I/O) Technology
- Intel Ethernet Controller X550-AT2
- Support 10GbE Data Rate



## Specifications

Interface	CMI (Combined Multiple I/O) Interface
Ethernet Port	2 x Intel® X550-AT2 Ethernet Ports
Connector Type	RJ45
Data Rate Per Port	10/5/2.5/1GbE
Jumbo Frames Supported	Yes
Teaming Supported	Yes
Dimension ( W x D x H )	83 x 61.3 x 18.95 mm

## Dimensions



Unit: mm

## Ordering Information

### Available Models

**CMI-10GLAN02-R10** CMI Module with 2x Intel 10GbE LAN, RJ45 Port (83 x 61.3 x 18.95 mm)

### Package Check List

- CMI Module x1
- Heatsink x1
- Thermal Pad Pack x1
- Screw Pack x1

## Compatible List

Model No.	CMI-10GLAN02
GP-3000	V