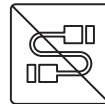
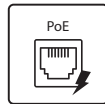


CFM-PoE07

CFM Module with PoE Function, Individual Port 25.5W



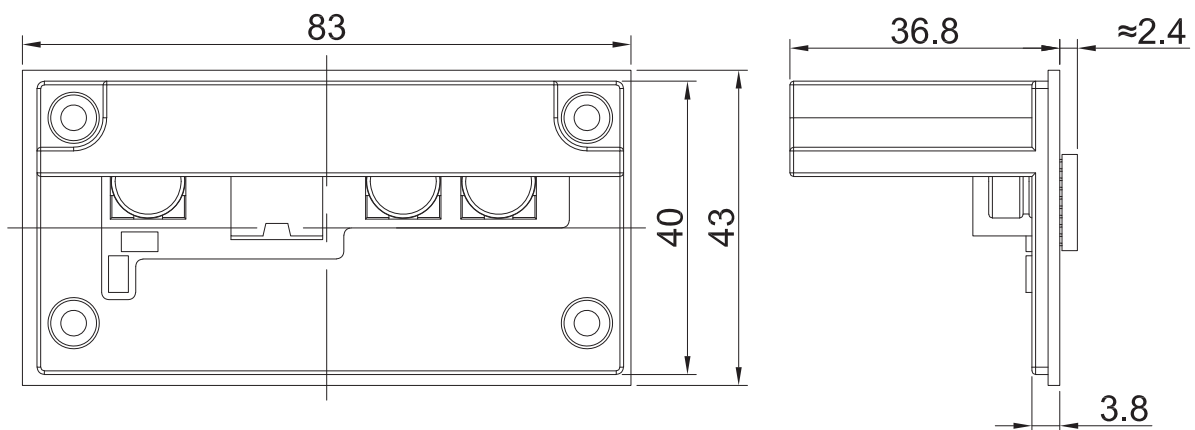
- CFM (Control Function Module) Technology
- Enable Power Over Ethernet Plus Function for CMI Module
- IEEE 802.3at Compliant
- Individual Port Support Up to 25.5W



Specifications

Interface	CFM (Control Function Module) Interface
Function	4x Power over Ethernet Plus Ports (PoE+)
Power over Ethernet Standard	IEEE 802.3at Compliant
Power Output	Individual port 25.5W
Power Boost	50 ~ 57V
Dimension (W x D x H)	83 x 43 x 36.8 mm (With Heatsink)

Dimensions



Unit: mm

Ordering Information

Available Models

CFM-PoE07-R10	CFM Module with PoE Function, Individual Port 25.5W
----------------------	---

Package Check List

- Control Function Module x1
- Heatsink x1
- Thermal Pad Pack x1
- Screw Pack x1

Compatible List

Model No.	CFM-PoE07
GP-3000	V