

cincoze

M1000 Series

User Manual



Convertible Display Monitor Module
M1000 Series

Contents

Preface

Revision.....	03
Copyright Notice.....	03
Acknowledgement.....	03
Disclaimer.....	03
Declaration of Conformity.....	03
Product Warranty Statement	04
Technical Support and Assistance.....	05
Conventions Used in this Manual	06
Safety Precaution	06
Package Contents	08
Ordering Information	08
Optional Modules & Accessories.....	08

Chapter 1 Product Introductions

1.1 Overview	10
1.2 Product Pictures.....	10
1.3 Key Features.....	11
1.4 Hardware Specification	11
1.5 System I/O	12
1.5.1 Front	12
1.5.2 Rear	12
1.5.3 Side (Left).....	13
1.5.4 Side (Right).....	13
1.5.5 Top.....	14
1.6 Mechanical Dimensions.....	14

Chapter 2 OSD Operation

2.1 Function Description of OSD.....	16
--------------------------------------	----

Chapter 3 System Setup

3.1 Connecting with CV Display Module.....	18
--	----

Preface

Revision

Revision	Description	Date
1.00	Manual Released	2015/01/06
1.10	Power Input Revision	2015/07/17
1.20	Corrections made	2016/05/24
1.30	Power Adapter Updated	2019/05/17
1.31	New Format Updated	2020/10/22

Copyright Notice

© 2015 by Cincoze Co., Ltd. All rights are reserved. No parts of this manual may be copied, modified, or reproduced in any form or by any means for commercial use without the prior written permission of Cincoze Co., Ltd. All information and specification provided in this manual are for reference only and remain subject to change without prior notice.

Acknowledgement

Cincoze is a registered trademark of Cincoze Co., Ltd. All registered trademarks and product names mentioned herein are used for identification purposes only and may be trademarks and/or registered trademarks of their respective owners.

Disclaimer

This manual is intended to be used as a practical and informative guide only and is subject to change without notice. It does not represent a commitment on the part of Cincoze. This product might include unintentional technical or typographical errors. Changes are periodically made to the information herein to correct such errors, and these changes are incorporated into new editions of the publication.

Declaration of Conformity



FCC

This equipment has been tested and found to comply with the limits for a Class A digital device, pursuant to Part 15 of the FCC Rules. These limits are designed to provide reasonable protection against harmful interference when the equipment is operated in a commercial environment. This equipment generates, uses, and can radiate radio frequency energy and, if not installed and used in accordance with the instruction manual, may cause harmful interference to radio communications. Operation of this equipment in a residential area is likely to cause harmful interference in which case the user

will be required to correct the interference at his own expense.



CE

The product(s) described in this manual complies with all application European Union (CE) directives if it has a CE marking. For computer systems to remain CE compliant, only CE-compliant parts may be used. Maintaining CE compliance also requires proper cable and cabling techniques.

Product Warranty Statement

Warranty

Cincoze products are warranted by Cincoze Co., Ltd. to be free from defect in materials and workmanship for 2 years (2 Years for PC Module, 1 Year for Display Module) from the date of purchase by the original purchaser. During the warranty period, we shall, at our option, either repair or replace any product that proves to be defective under normal operation. Defects, malfunctions, or failures of the warranted product caused by damage resulting from natural disasters (such as by lightning, flood, earthquake, etc.), environmental and atmospheric disturbances, other external forces such as power line disturbances, plugging the board in under power, or incorrect cabling, and damage caused by misuse, abuse, and unauthorized alteration or repair, and the product in question is either software, or an expendable item (such as a fuse, battery, etc.), are not warranted.

RMA

Before sending your product in, you will need to fill in Cincoze RMA Request Form and obtain a RMA number from us. Our staff is available at any time to provide you with the most friendly and immediate service.

■ RMA Instruction

- Customers must fill in Cincoze Return Merchandise Authorization (RMA) Request Form and obtain a RMA number prior to returning a defective product to Cincoze for service.
- Customers must collect all the information about the problems encountered and note anything abnormal and describe the problems on the “Cincoze Service Form” for the RMA number apply process.
- Charges may be incurred for certain repairs. Cincoze will charge for repairs to products whose warranty period has expired. Cincoze will also charge for repairs to products if the damage resulted from acts of God, environmental or atmospheric disturbances, or other external forces through misuse, abuse, or unauthorized alteration or repair. If charges will be incurred for a repair, Cincoze lists all charges, and will wait for customer’s approval before

performing the repair.

- Customers agree to ensure the product or assume the risk of loss or damage during transit, to prepay shipping charges, and to use the original shipping container or equivalent.
- Customers can be sent back the faulty products with or without accessories (manuals, cable, etc.) and any components from the system. If the components were suspected as part of the problems, please note clearly which components are included. Otherwise, Cincoze is not responsible for the devices/parts.
- Repaired items will be shipped along with a "Repair Report" detailing the findings and actions taken.

Limitation of Liability

Cincoze' liability arising out of the manufacture, sale, or supplying of the product and its use, whether based on warranty, contract, negligence, product liability, or otherwise, shall not exceed the original selling price of the product. The remedies provided herein are the customer's sole and exclusive remedies. In no event shall Cincoze be liable for direct, indirect, special or consequential damages whether based on contract of any other legal theory.

Technical Support and Assistance

1. Visit the Cincoze website at www.cincoze.com where you can find the latest information about the product.
2. Contact your distributor or our technical support team or sales representative for technical support if you need additional assistance. Please have following information ready before you call:
 - Product name and serial number
 - Description of your peripheral attachments
 - Description of your software (operating system, version, application software, etc.)
 - A complete description of the problem
 - The exact wording of any error messages

Conventions Used in this Manual



WARNING

This indication alerts operators to an operation that, if not strictly observed, may result in severe injury.



CAUTION

This indication alerts operators to an operation that, if not strictly observed, may result in safety hazards to personnel or damage to equipment.



NOTE

This indication provides additional information to complete a task easily.

Safety Precautions

Before installing and using this device, please note the following precautions.

1. Read these safety instructions carefully.
2. Keep this User's Manual for future reference.
3. Disconnect this equipment from any AC outlet before cleaning.
4. For plug-in equipment, the power outlet socket must be located near the equipment and must be easily accessible.
5. Keep this equipment away from humidity.
6. Put this equipment on a reliable surface during installation. Dropping it or letting it fall may cause damage.
7. Make sure the voltage of the power source is correct before connecting the equipment to the power outlet.
8. Use a power cord that has been approved for using with the product and that it matches the voltage and current marked on the product's electrical range label. The voltage and current rating of the cord must be greater than the voltage and current rating marked on the product.
9. Position the power cord so that people cannot step on it. Do not place anything over the power cord.
10. All cautions and warnings on the equipment should be noted.
11. If the equipment is not used for a long time, disconnect it from the power source to avoid

damage by transient overvoltage.

12. Never pour any liquid into an opening. This may cause fire or electrical shock.
13. Never open the equipment. For safety reasons, the equipment should be opened only by qualified service personnel.

If one of the following situations arises, get the equipment checked by service personnel:

- The power cord or plug is damaged.
 - Liquid has penetrated into the equipment.
 - The equipment has been exposed to moisture.
 - The equipment does not work well, or you cannot get it work according to the user's manual.
 - The equipment has been dropped and damaged.
 - The equipment has obvious signs of breakage.
14. CAUTION: Danger of explosion if battery is incorrectly replaced. Replace only with the same or equivalent type recommended by the manufacturer.
 15. Equipment intended only for use in a RESTRICTED ACCESS AREA.

Package Contents

Before installation, please ensure all the items listed in the following table are included in the package.

Item	Description	Q'ty
1	M1001 Monitor Module	1
2	Utility DVD Driver	1
3	USB Cable	1
4	VGA Cable	1
5	Power Terminal Block Connector (Female)	1
6	Screw Pack	1


Note: Notify your sales representative if any of the above items are missing or damaged.

Ordering Information

Model No.	Product Description
M1001	Monitor Module with 1x USB, 1x COM, 1x VGA, 1x DVI-D and 1x DisplayPort

Optional Accessories

Model No.	Description
GST60A12-CIN1	Adapter AC/DC 12V 5A 60W, GST60A12-CIN1, wide temp(-30°C ~ +70°C), Level VI
DVI-D Cable	DVI-D male to DVI-D male Cable 1.8M
SL2-SL3	US 2 heads power cord, US B type to IEC C13, SVT 18AWG/3C Black 1.8M SL-2+SL-3
SL6-SL3	EU 2 heads power cord, EU G type to IEC C13, H05VV-F 0.75mm ² /3G Black 1.8M SL-6+SL-3
QP026-SL3	UK 2 heads power cord, UK I type to IEC C13, H05VV-F 0.75mm ² /3G Black 1.8M QP026+SL-3



Chapter 1

Product Introductions

1.1 Overview

M1001 is a monitor module which supports Convertible Display Systems (CDS) technology; it is compatible with Cincoze Display Modules for different display sizes and touchscreens.

M1001 offers both digital and analog signal input via three types of display interface: VGA, DVI-D and DisplayPort. In addition, it has OSD function for adjusting the viewing options of display and supports 1x USB and 1x COM ports for connecting with touch screen. Moreover, M1001 supports wide range power DC input from 9 to 48VDC and offers panel mount, wall mount and VESA mount. It can be powered and deployed for various applications.

1.2 Product pictures



Front



Side (Left)



Rear



Side (Right)

1.3 Key Feature

- 1x VGA, 1x DVI-D, 1x DisplayPort Input Interface
- 1x USB, 1x COM, 1x Audio Input
- OSD Control Pad: LCD On/Off, Auto, Menu, Up and Down
- Multi-language OSD Function
- Wide Range Power Input 9~48VDC
- Support Panel / Wall / VESA Mounting
- Convertible Display System (CDS) Supported
- Built-in Two 5W Internal Speakers

1.4 Hardware Specification

System

- 1x VGA Input
- 1x DVI-D Input
- 1x DisplayPort Input
- 1x Audio Input
- 1x USB 2.0 Input
- 1x COM Port Input (Resistive Touch Only)
(USB & COM port are reserved for the connection to enable touch usage only)

Other Features

- Audio: AMP 5W + 5W (Internal Speaker)
- OSD Function: LCD On/Off, Auto, Menu, Up and Down
- Multi-language OSD Function

Power

- 1x 3-pin Terminal Block Connector with Power Input 9~48VDC
- 1x Optional AC/DC 12V/5A, 60W Power Adapter

Environment

- Operating Temperature: Ambient with Air Flow: -5°C to 60°C (with Industrial Grade Peripherals)
- Storage Temperature: -20°C to 75°C
- Relative humidity: 10%~95% (non-condensing)

Physical

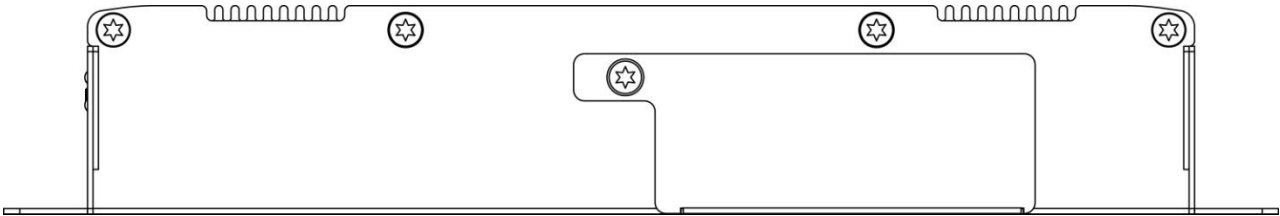
- Dimension (WxDxH, mm): 204.5 X 149 X 38.5 mm
- Weight: 1.12 kg
- Construction: Extruded aluminum with Heavy Duty Metal
- Mounting: Panel / Wall / VESA Mounting

Certification

- CE
- FCC Class A

1.5 System I/O

1.5.1 Front



1.5.2 Rear

DC IN

Used to plug a DC power input with terminal block.

VGA

Use the rear panel standard 15-pin female VGA connector to connect the monitor to the system graphics interface.

DVI-D

This 24-pin port is for PC (Personal Computer) DVI-D digital signal connection.

DisplayPort

The DisplayPort connector connects to a display device with DisplayPort interface.

Audio-in

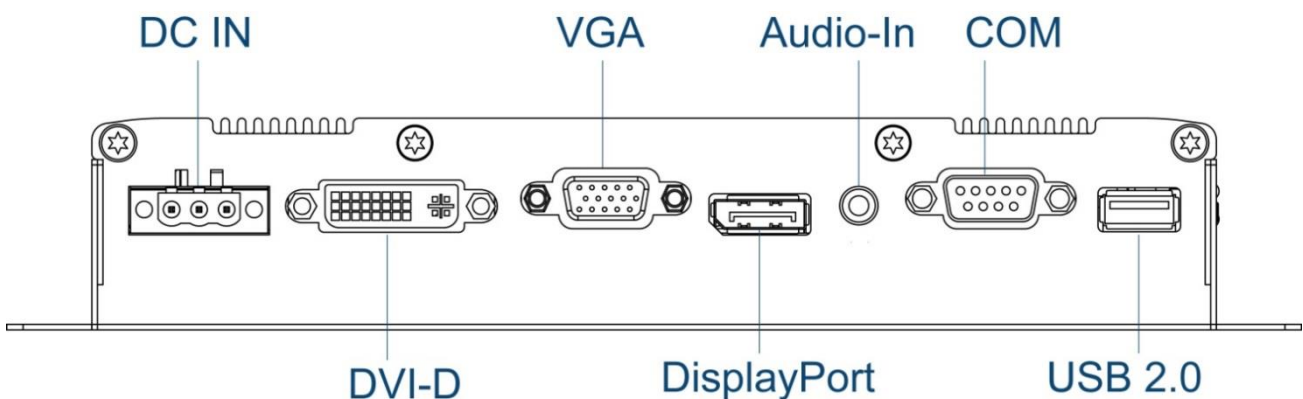
This port connects PC audio source by the bundled audio cable.

USB for Touch Panel Connector

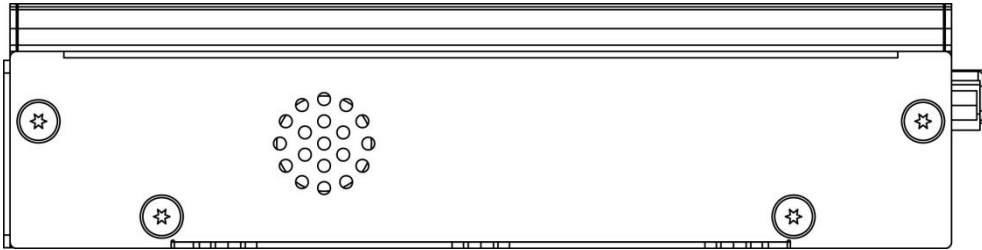
Use the rear panel standard USB touch panel connector to connect the monitor to the system interface.

COM Port for Touch Panel Connector (Resistive Touch Only)

Use the rear panel standard RS-232 DB-9 female touch panel connector to connect the monitor to the system interface.



1.5.3 Side (Left)



1.5.4 Side (Right)

OSD (On Screen Display) Function: LCD On/Off

Press to turn-on or turn-off the display.

Auto

Press to auto adjust the optimal frequency of horizontal and vertical.

Menu

Press this button to turn on/off the OSD main menu.

Press this button to activate selected items.

Up

To increase the value of selected item.

Down

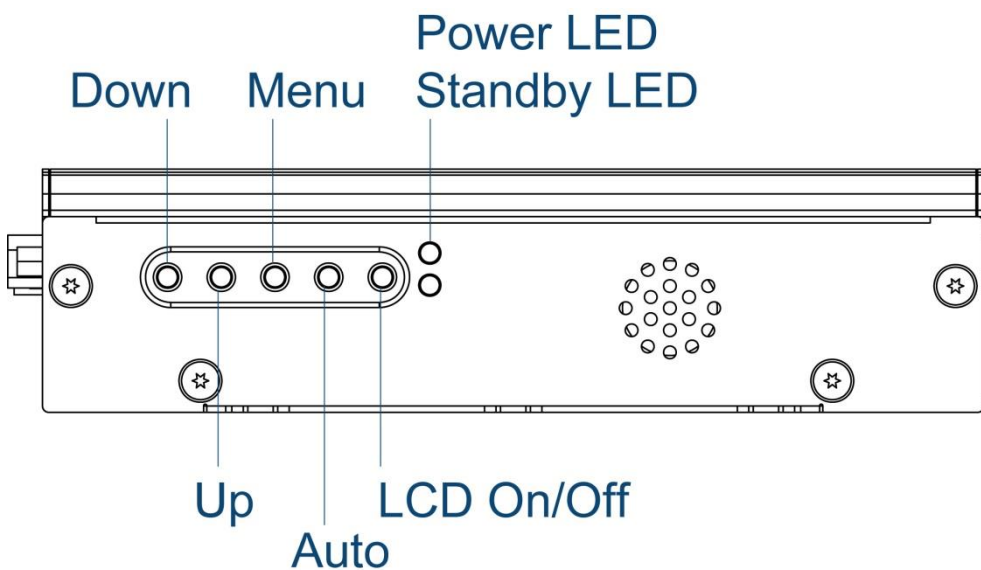
To decrease the value of selected item.

Power LED

Indicates the power status of the monitor.

Stand by LED

Indicates the stand by mode of the monitor.



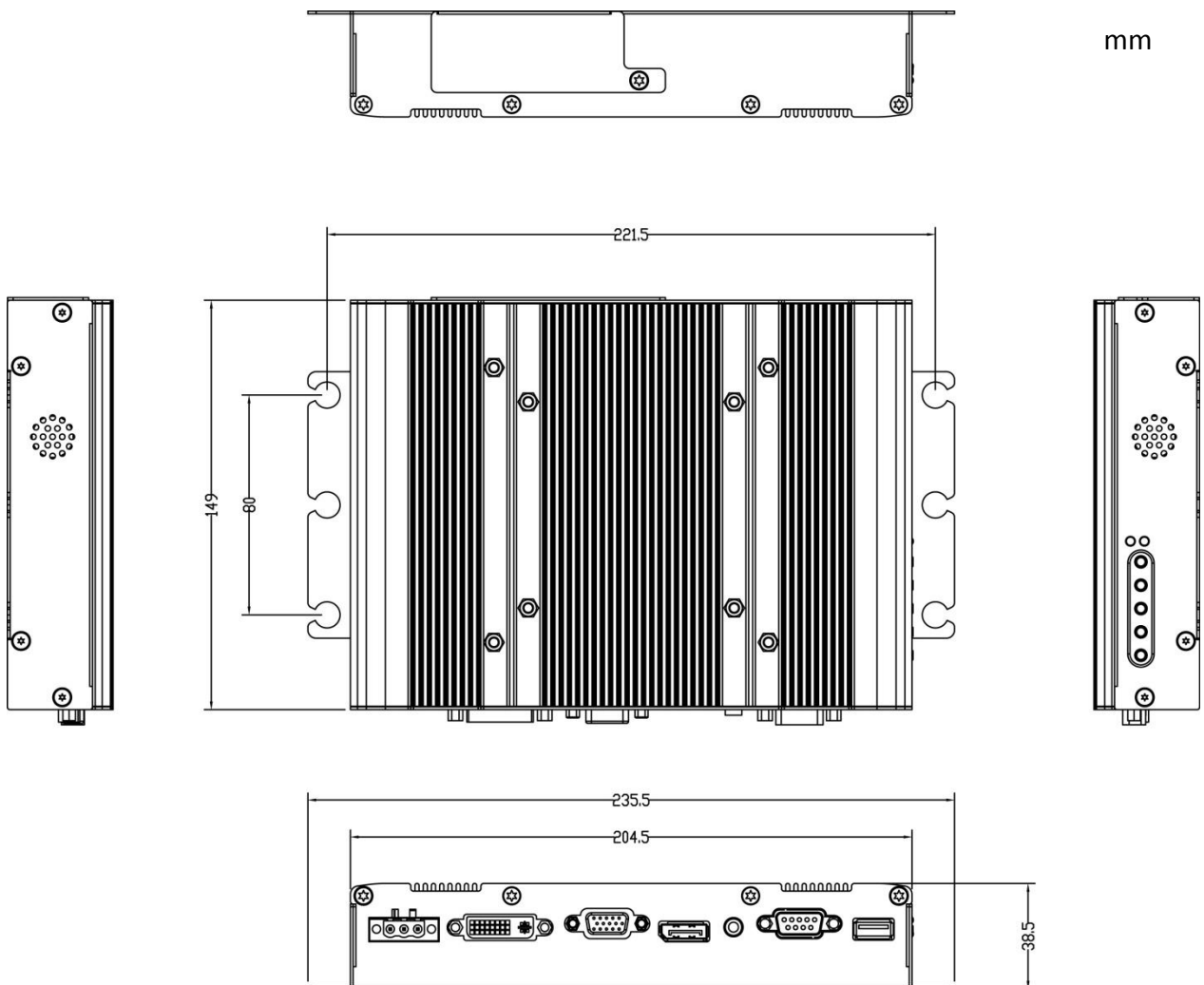
1.5.5 Top

VESA Mounting Hole

These are mounting holes for VESA mount (75x75mm and 100x100mm)



1.6 Mechanical Dimensions







Chapter 2

OSD Operation

2.1 OSD Function Description

OSD Menu	Description
 <p>Luminance</p>	<ul style="list-style-type: none"> • Brightness • Contrast • Gamma • SuperResolution
 <p>Picture</p>	<ul style="list-style-type: none"> • Phase • Clock • H. Position • V. Position
 <p>Color</p>	<ul style="list-style-type: none"> • Color Temperature • Red • Green • Blue
 <p>OSD Settings</p>	<ul style="list-style-type: none"> • Horizontal • Vertical • Transparency • OSD Time Out
 <p>Setup</p>	<ul style="list-style-type: none"> • Language • Mute • Input • Reset



Chapter 3

System Setup

3.1 Connecting with CV Display Module



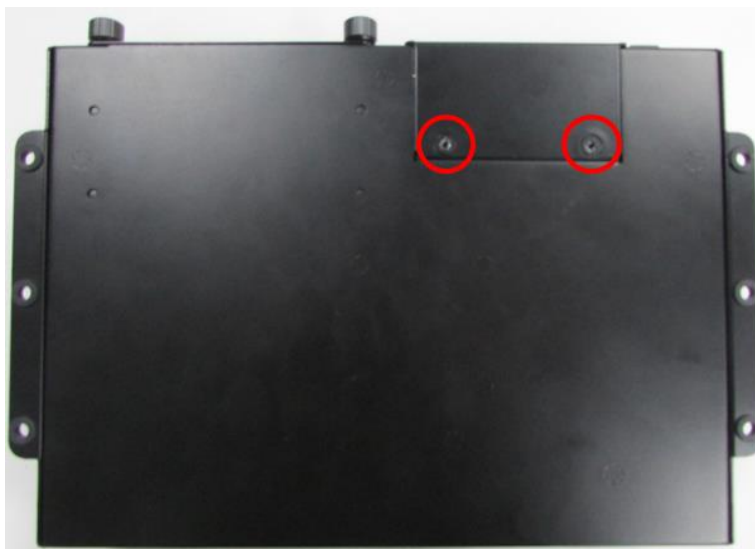
WARNING

In order to prevent electric shock or system damage, before removing the chassis cover, please turn off power and disconnect the unit from the power source.

1. Locate the module connector slot and loosen the 1 screw.



2. Turn over the module and loosen 2 screws at the back of the connector cover.



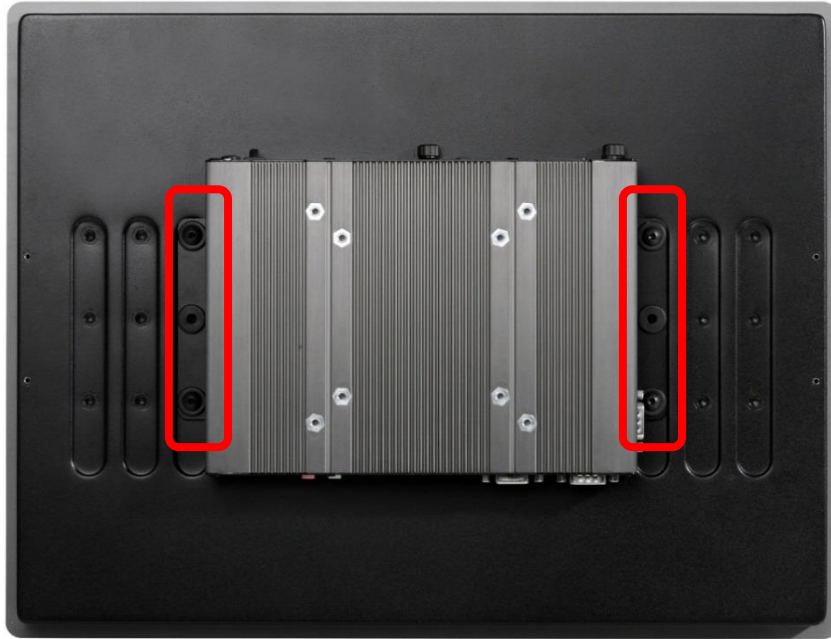
The photos show the male connector (on display module) and female connector (on PC module)



3. Connect the modules.



4. Have the studs screwed to the display module through the holes of the PC module.



3.2 VESA Mount

The following picture indicates VESA mounting hole pattern on M1000, which is compliant with VESA mounting standard.

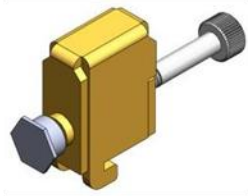


1. The following picture uses a panel PC (M1000+CV display module) as a demonstration. To attach the panel PC to a VESA stand, please fasten eight screws as indicated to fix it on the stand.

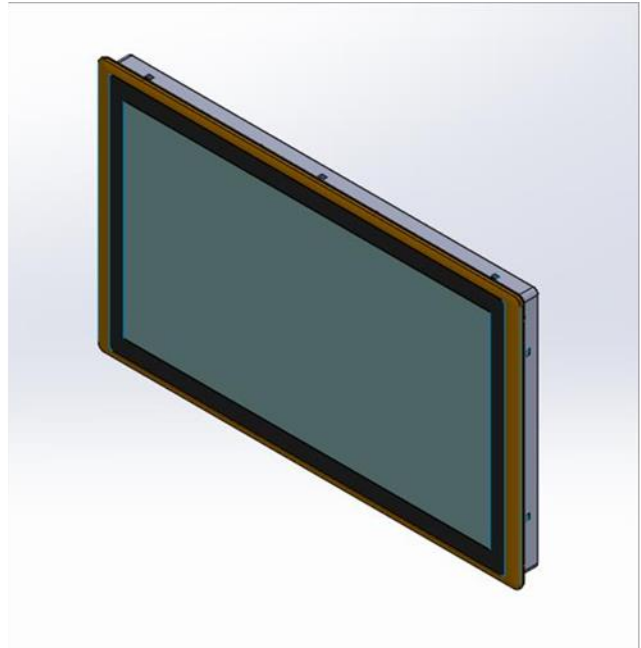


3.3 Panel Mount

1. Accessories provided by Cincoze are as follows.



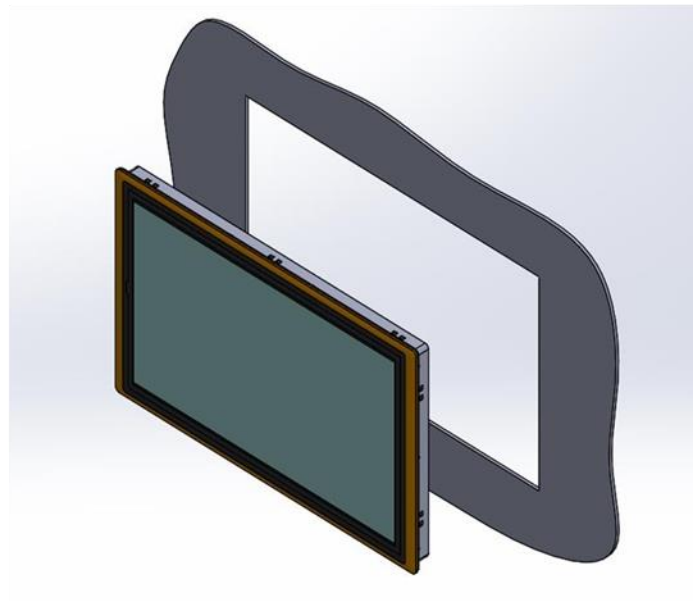
Mounting Kits



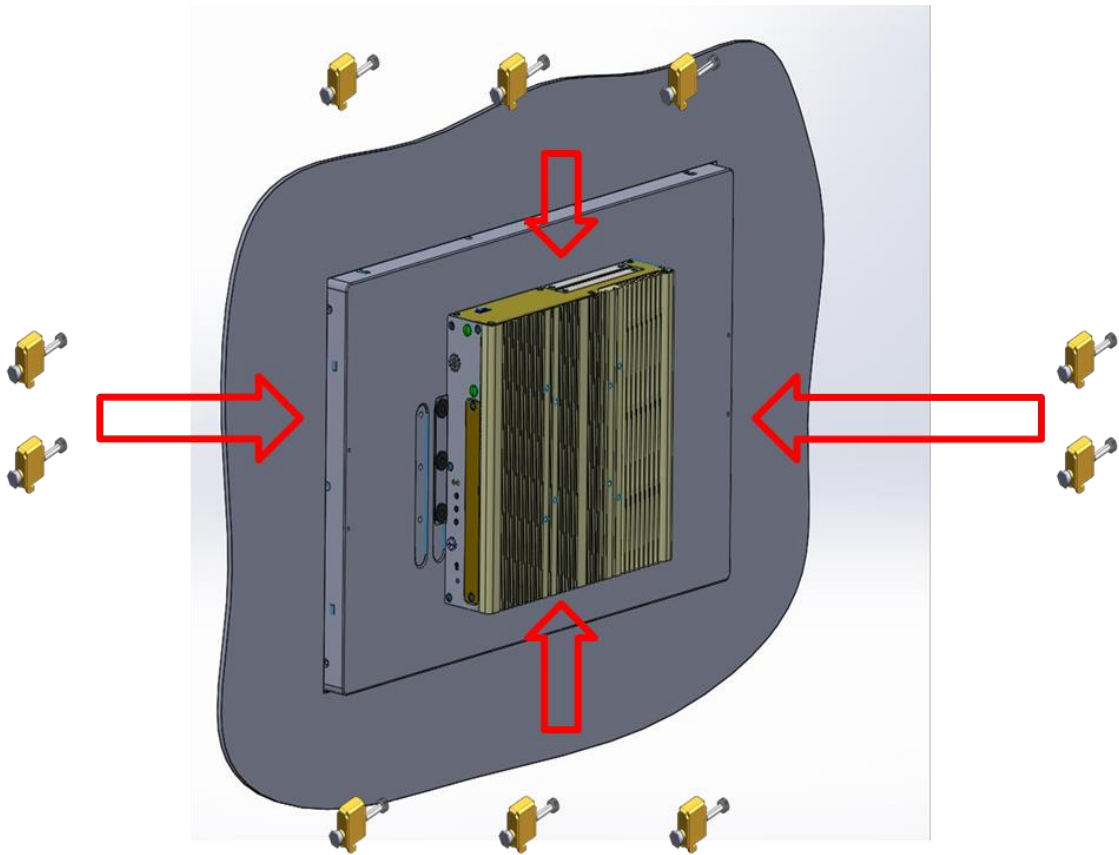
Panel Mount PPC

Before assembly, please prepare panel mount PPC and customer's fixture.

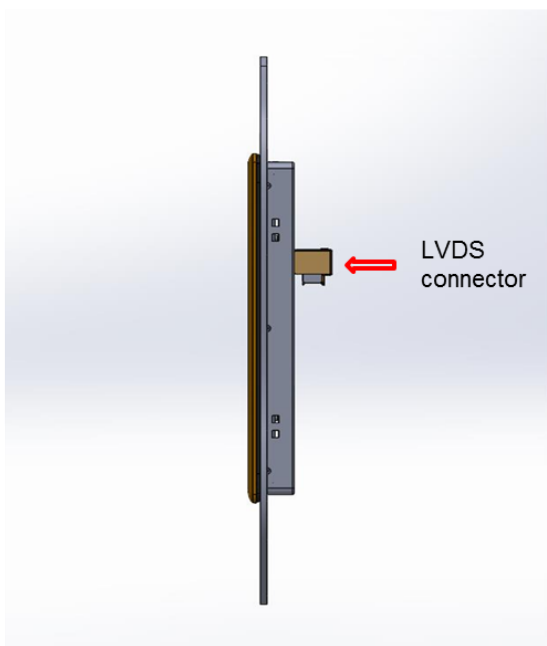
Panel Mount with customer's fixture
(Front View)



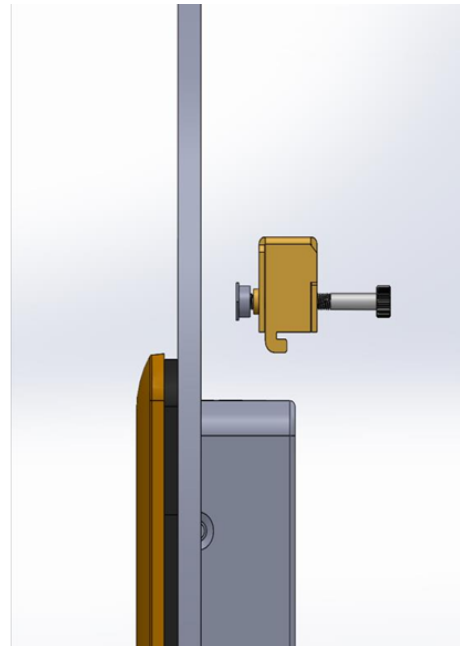
2. All mounting kits displayed are to be inserted into holes.



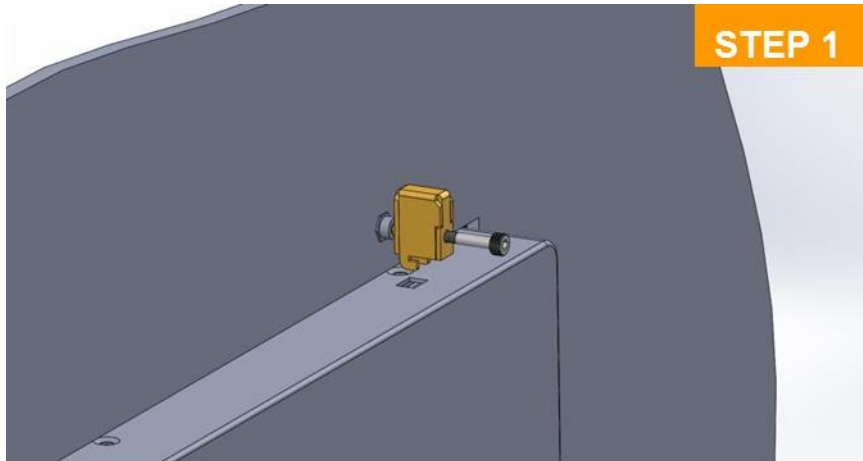
3. Installation preparation and steps.



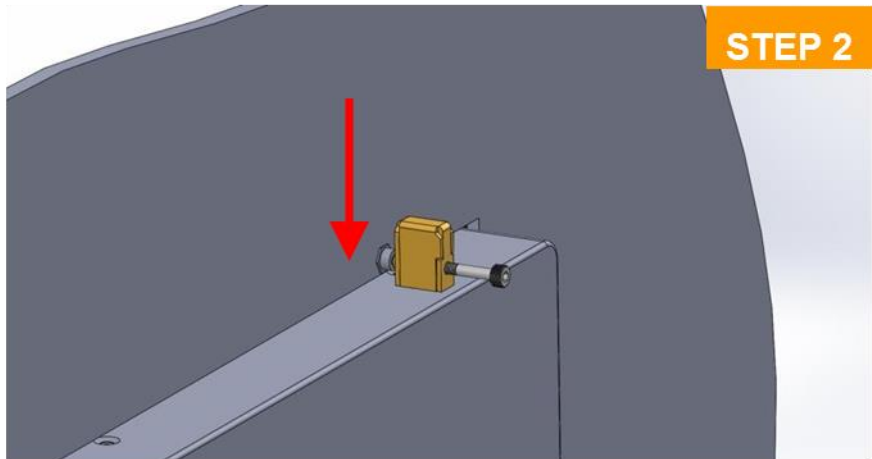
Panel mount side view with LVDS connector of CS series



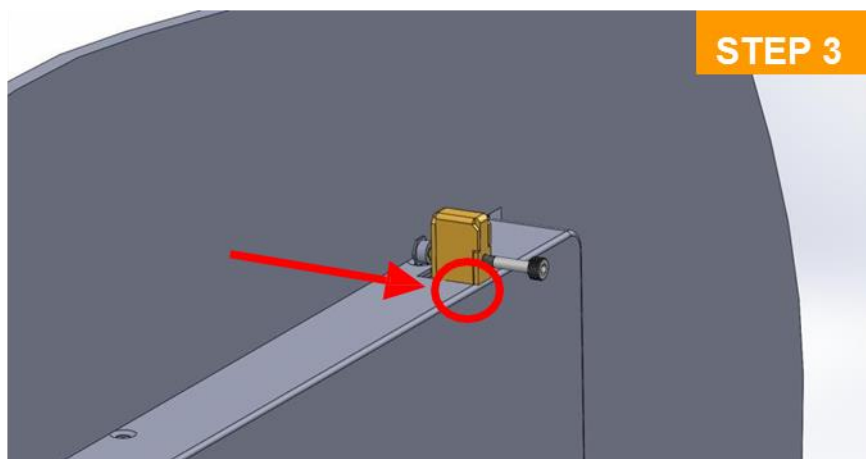
Before Mounting Kits are installed



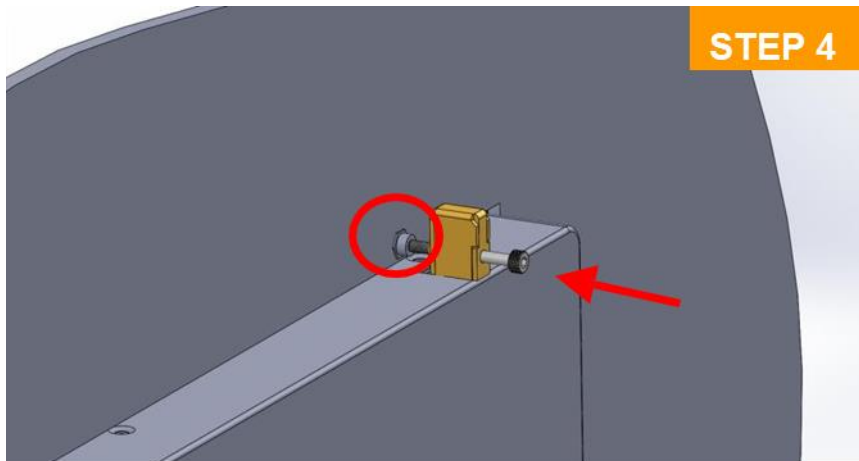
Position panel mount kits



Insert the panel mounting kit into bottom hole

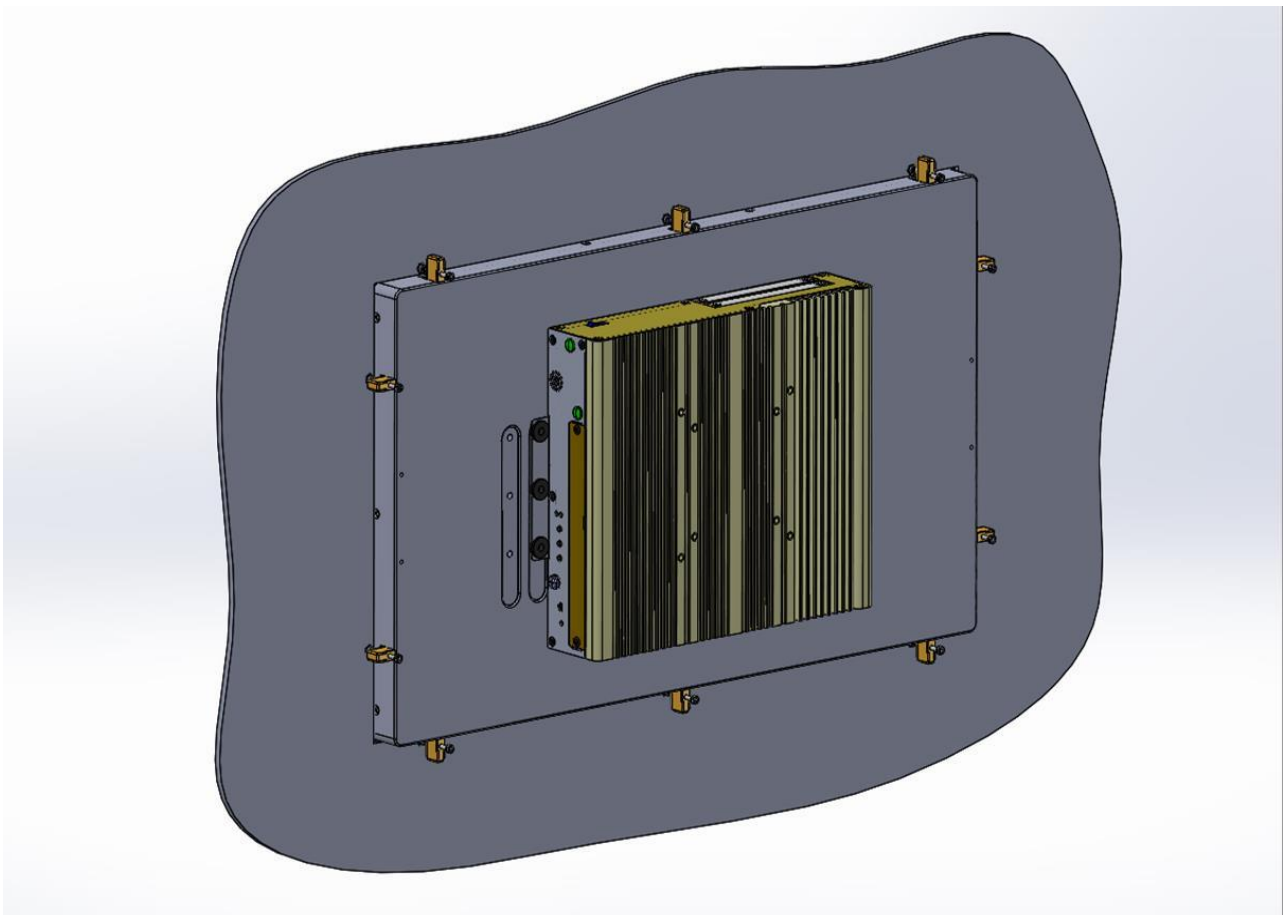


Slide the kit toward back



Tighten the screw forward until the front screw just touches the surface

4. Apply all mount kits to the rest of holes. And you have completed the panel mount installation, as shown below.



cincoze

© 2020 Cincoze Co., Ltd. All rights reserved.

The Cincoze logo is a registered trademark of Cincoze Co., Ltd.

All other logos appearing in this catalog are the intellectual property of the respective company, product, or organization associated with the logo.

All product specifications and information are subject to change without notice.