

Cincoze CMI PoE Module (EOL)



CMI-PoE104

CMI Module with 4x PoE+, Intel GbE LAN, RJ45 Port, Individual Port 25.5W

- CMI Interface
- Intel Ethernet Controller 82583V
- 4x PoE+, IEEE 802.3at, Offers up to 25.5W Per Port, RJ45 Port
- Support 10/ 100/ 1000 Mbps Data Rate
- Support Wake On LAN, Teaming, 9.5KB Jumbo Frame
- Dimension (WxDxH) : 83 x 88.5 x 23.6 mm



CMI-PoE114

CMI Module with 4x PoE+, Intel GbE LAN, RJ45 Port, Individual Port 25.5W

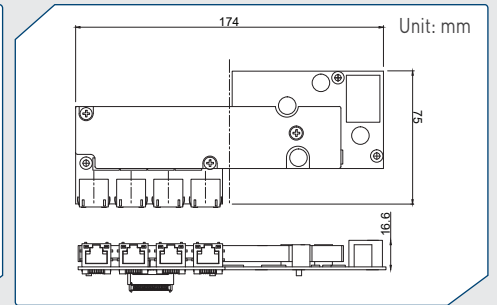
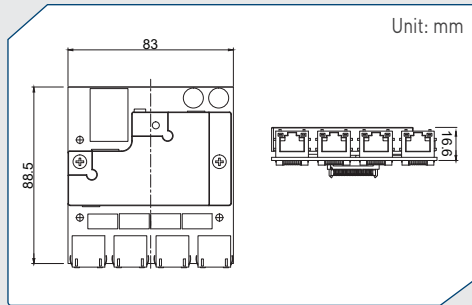
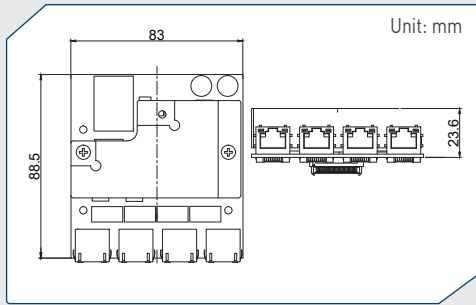
- CMI Interface
- Intel Ethernet Controller 82583V
- 4x PoE+, IEEE 802.3at, Offers up to 25.5W Per Port, RJ45 Port
- Support 10/ 100/ 1000 Mbps Data Rate
- Support Wake On LAN, Teaming, 9.5KB Jumbo Frame
- Dimension (WxDxH) : 83 x 88.5 x 16.6 mm



CMI-PoE204

CMI Module with 4x PoE+, Intel GbE LAN, RJ45 Port, Individual Port 25.5W

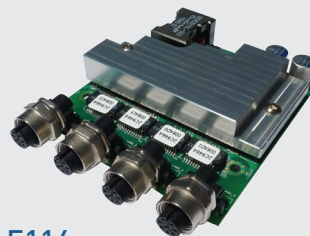
- CMI Interface
- Intel Ethernet Controller 82583V
- 4x PoE+, IEEE 802.3at, Offers up to 25.5W Per Port, RJ45 Port
- Support 10/ 100/ 1000 Mbps Data Rate
- Support Wake On LAN, Teaming, 9.5KB Jumbo Frame
- Dimension (WxDxH) : 174 x 75 x 16.6 mm



CMI-M12PoE104

CMI Module with M12 Connector, 4x PoE+, Intel GbE LAN, Individual Port 25.5W

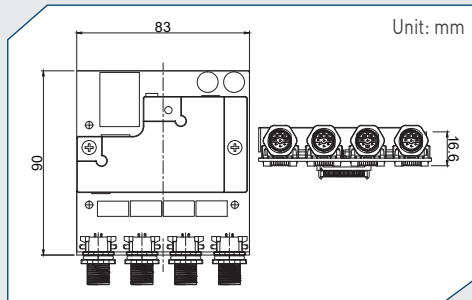
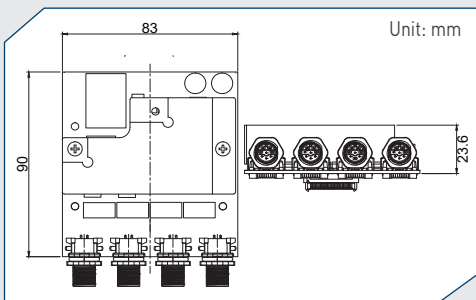
- CMI Interface
- Intel Ethernet Controller 82583V
- 4x PoE+, IEEE 802.3at, Offers up to 25.5W Per Port, M12 Connector
- Support 10/ 100/ 1000 Mbps Data Rate
- Support Wake On LAN, Teaming, 9.5KB Jumbo Frame
- Dimension (WxDxH) : 83 x 90 x 23.6 mm



CMI-M12PoE114

CMI Module with M12 Connector, 4x PoE+, Intel GbE LAN, Individual Port 25.5W

- CMI Interface
- Intel Ethernet Controller 82583V
- 4x PoE+, IEEE 802.3at, Offers up to 25.5W Per Port, M12 Connector
- Support 10/ 100/ 1000 Mbps Data Rate
- Support Wake On LAN, Teaming, 9.5KB Jumbo Frame
- Dimension (WxDxH) : 83 x 90 x 16.6 mm



CMI PoE Module Compatible List

Model No.	CMI-PoE104	CMI-PoE114	CMI-PoE204	CMI-M12PoE104	CMI-M12PoE114
DE-1000			✓		
DE-1001			✓		
DE-1002			✓		
DI-1000		✓			✓
DS-1000	✓				
DS-1001	✓				
DS-1002	✓				
DS-1100	✓			✓	
DS-1101	✓			✓	
DS-1102	✓			✓	

✓ : Compatible

Ordering Information

Model No.	Product Description
CMI-PoE104	CMI Module with 4x PoE+, Intel GbE LAN, RJ45 Port, Individual Port 25.5W (83 x 88.5 x 23.6 mm)
CMI-PoE114	CMI Module with 4x PoE+, Intel GbE LAN, RJ45 Port, Individual Port 25.5W (83 x 88.5 x 16.6 mm)
CMI-PoE204	CMI Module with 4x PoE+, Intel GbE LAN, RJ45 Port, Individual Port 25.5W (174 x 75 x 16.6 mm)
CMI-M12PoE104	CMI Module with M12 Connector, 4x PoE+, Intel GbE LAN, Individual Port 25.5W (83 x 90 x 23.6 mm)
CMI-M12PoE114	CMI Module with M12 Connector, 4x PoE+, Intel GbE LAN, Individual Port 25.5W, (83 x 90 x 16.6 mm)