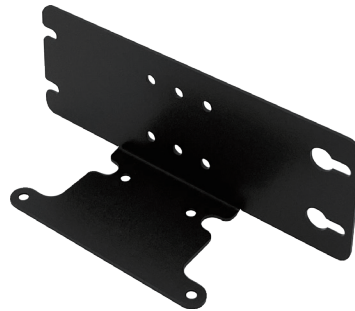


SIDE02

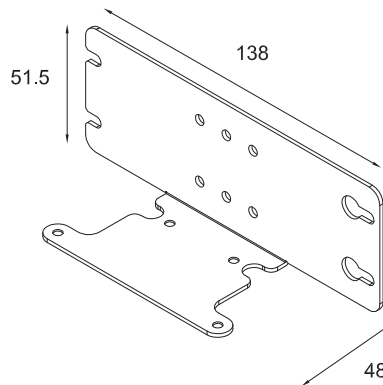
DA Series Side Mount Kit



Specifications

Mounting Method	• Side Mount (Optional DIN-Rail Mount Support)
Dimension (W x D x H)	• 138 x 51.5 x 48 mm
Weight	• 0.12 kg
Material	• SECC

Dimensions



Unit: mm

Ordering Information

Available Models

Model No.	Description
SIDE02	Side Mount Kit for DA Series, with KMRH-K175 for DIN-Rail option

Package Checklist

- Side Mount Bracket x1
- Screw Pack x1
- KMRH-K175 x1

Compatible List

Model No.	SIDE02
DA Series	V

V : Compatible