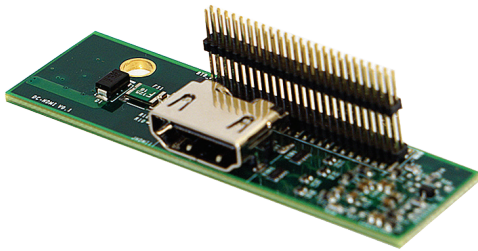
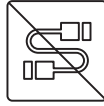


CMI-HD02

CMI Module with 1x HDMI Port



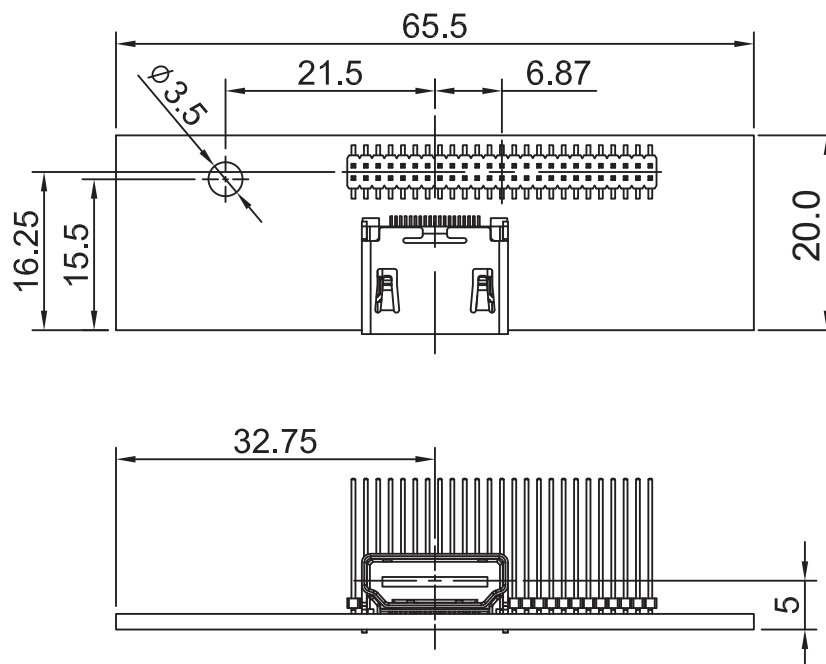
- CMI (Combined Multiple I/O) Technology
- Rugged Design Features: Cableless



Specifications

Interface	CMI (Combined Multiple I/O) Interface
Display Output	1x HDMI Connector
Max. Resolution	4K x 2K @ 30Hz
Dimension (W x D x H)	67 x 20 mm

Dimensions



Unit: mm

Ordering Information

Available Models

CMI-HD02	CMI Module with 1x HDMI Port
----------	------------------------------

Package Check List

- CMI Module x1
- Screw Pack x1

Compatible List

Model No.	CMI-HD02
DC-1200	V