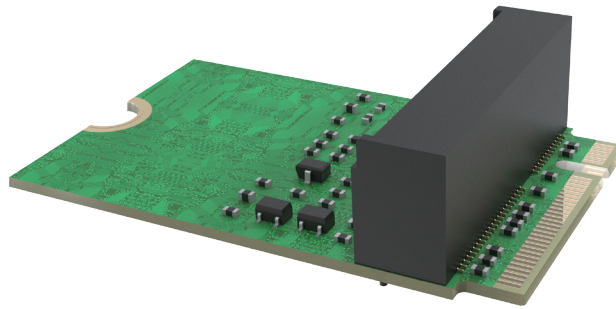


AC-BE01

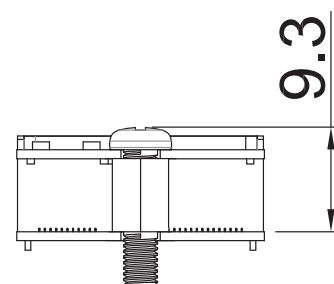
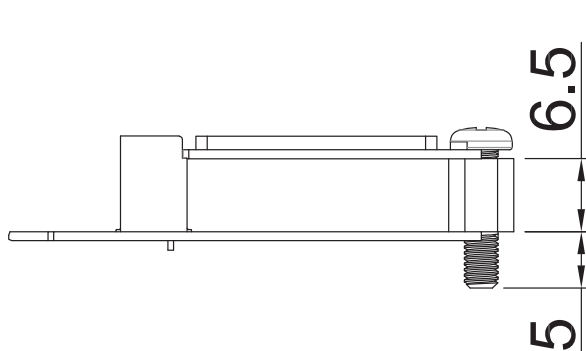
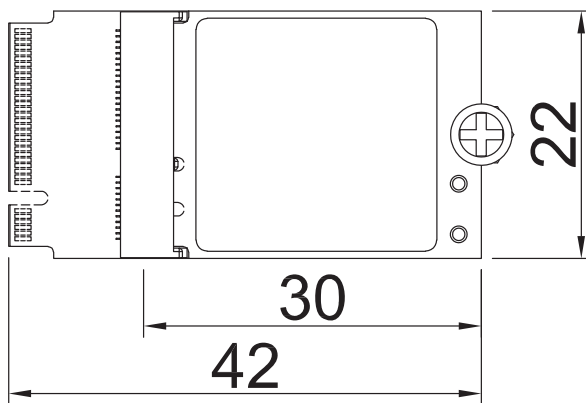
M.2 Key B Type 2242 to M.2 Key E Type 2230 Adapter Card



Specifications

Interface	• M.2 Key B
Form Factor	• 2242 (22mm x 42mm)
Onboard Connector	• M.2 Key E socket for 2230 form factor devices
Dimension (W x D x H)	• 22 x 42 x 9.3 mm

Dimensions



Ordering Information

Available Models

Model No.	Description
AC-BE01-R10	M.2 Key B Type 2242 to M.2 Key E Type 2230 Adapter Card

Package Checklist

- Adapter Card x1
- Screw Pack x1

Compatible List

Product Series	Product Model
DA Series	DA-1200