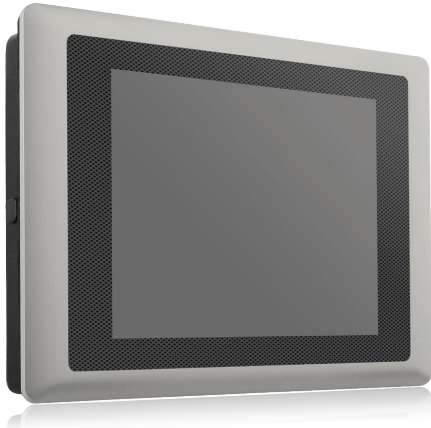


# CV-108/M1001

8.4" TFT SVGA 4:3 Monitor with Touch (Projected Capacitive / Resistive 5-wire), 1x USB, 1x COM, 1x VGA, 1x DVI-D and 1x DisplayPort



- 8.4" TFT SVGA 4:3 LCD with Resistive 5-wire Touch / Projected Capacitive Touch
- Designed with Aluminum Die-Casting Front Frame
- 1x USB, 1x COM, 1x VGA, 1x DVI-D, 1x DisplayPort, 1x Audio
- IP 65 Compliant Front Panel
- Supports Panel / VESA / Rack Mounting
- Convertible Display System (CDS) Supported
- Built-in Two 5W Internal Speakers

## Overview

The 8.4" touch monitor with resistive 5-wire / projected capacitive touch screen offers resolution up to 800x600 (SVGA) and 400 nits brightness. CV-108/M1001 features flat surface and IP65 dust/waterproof front panel. In addition, designed with aluminum die-cast front frame, it is rugged and reliable for industrial environment. CV-108/M1001 supports Convertible Display System (CDS) which allows to configure, upgrade and maintain your touch monitor easily.

CV-108/M1001 supports both digital and analog signal input via three types of display interface: VGA, DVI-D and DisplayPort. Touch screen can be connected with USB or COM port. It has OSD function for adjusting the viewing options of display. With support to wide range power input from 9~48VDC, CV-108/M1001 is designed as an ideal solution for industrial application.

## Specifications

### Display

- LCD Size: 8.4" (4:3)
- Max. Resolution: 800 x 600
- Brightness (cd/m<sup>2</sup>): 400
- Contrast Ratio: 600 : 1
- LCD Color: 262K
- Pixel Pitch (mm): 0.213 (H) x 0.213 (V)
- Viewing Angle (H-V): 150 / 130
- Backlight MTBF: 30000 hrs (LED Backlight)

### Touch

- Resistive 5-wire Touch for CV-108R/M1001 Only)
- Projected Capacitive Touch for CV-108C/M1001 Only)

### I/O Ports

- 1x VGA
  - 1x DVI-D
  - 1x DisplayPort
  - 1x Audio Input
  - 1x USB 2.0
  - 1x COM Port (Resistive Touch Only)
- (USB & COM Port are reserved for the connection to enable touch usage only)

### Other Features

- Audio: AMP 5W + 5W (Internal Speaker)
- OSD Function: LCD On/Off, Auto, Menu, Up and Down
- Multi-language OSD Function

**Power**

- 1x 3-pin Terminal Block Connector with Power Input 9~48VDC
- 1x Optional AC/DC 12V/5A, 60W Power Adapter

**Environment**

- Operating Temperature: Ambient with air flow:  
 CV-108R/M1001: -5°C to 60°C  
 CV-108C/M1001: -5°C to 60°C  
 (with Industrial Grade Peripherals)
- Storage Temperature:  
 CV-108R/M1001: -20°C to 75°C  
 CV-108C/M1001: -20°C to 75°C
- Relative humidity:  
 CV-108R/M1001: 80% RH @ 60°C (non-condensing)  
 CV-108C/M1001: 85% RH @ 60°C (non-condensing)
- IP Level: IP 65 Compliant Front Panel

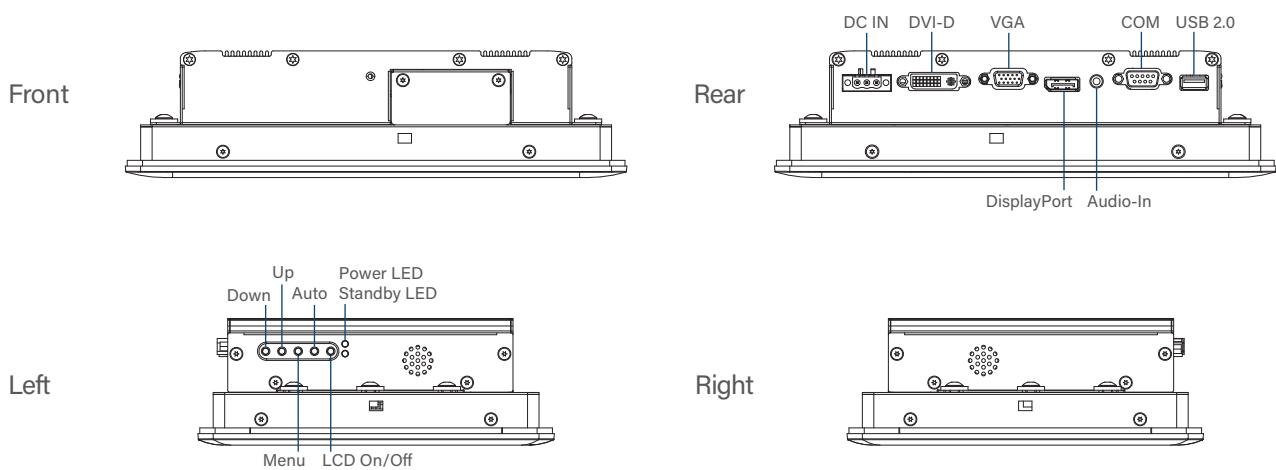
**Physical**

- Dimension (WxDxH, mm): 262 x 186 x 66 mm
- Weight:  
 CV-108R/M1001: 2.74 kg  
 CV-108C/M1001: 2.70 kg
- Construction Front Panel: Die-Casting Flat Surface
- Mounting: Panel / VESA / \*Rack Mounting (\*with optional mounting kit)

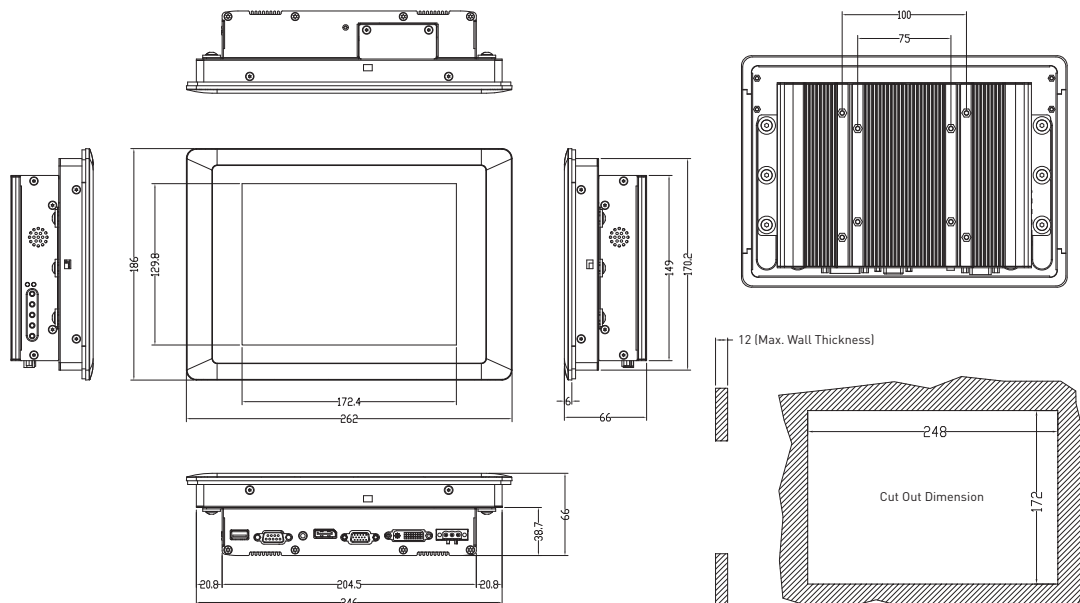
**Certification**

- CE
- FCC Class A

**External Layout**



**Dimensions**



Unit: mm

## Ordering Information

### Available Models

Model No.	Product Description
CV-108R/M1001	8.4" TFT SVGA 4:3 Monitor with <a href="#">Resistive 5-wire Touch</a> , 1x USB, 1x COM, 1x VGA, 1x DVI-D and 1x DisplayPort
CV-108C/M1001	8.4" TFT SVGA 4:3 Monitor with <a href="#">Projected Capacitive Touch</a> , 1x USB, 1x COM, 1x VGA, 1x DVI-D and 1x DisplayPort

### Package Checklist

- CV-108/M1001 Touch Monitor x 1
- Panel Mounting Kit x 4
- Utility DVD Driver x 1
- Power Terminal Block Connector (Female) x 1
- USB Cable x 1
- VGA Cable x 1
- Screw Pack x 1

### Optional Accessories

Model No.	Description
GST60A12-CIN1	Adapter AC/DC 12V 5A 60W, GST60A12-CIN1, wide temp(-30°C ~ +70°C)
DVI-D Cable	DVI-D male to DVI-D male Cable 1.8M
SL2-SL3	US 2 heads power cord, US B type to IEC C13, SVT 18AWG/3C Black 1.8M SL-2+SL-3
SL6-SL3	EU 2 heads power cord, EU G type to IEC C13, H05VV-F 0.75mm2/3G Black 1.8M SL-6+SL-3
QP026-SL3	UK 2 heads power cord, UK I type to IEC C13 ,H05VV-F 0.75mm2/3G Black 1.8M QP026+SL-3
URM01	Universal 19" Rack Mount Kit for Industrial Panel PC & Industrial Monitor