

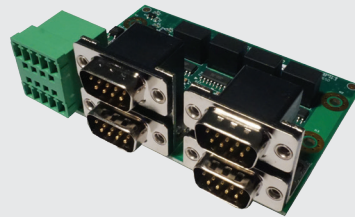
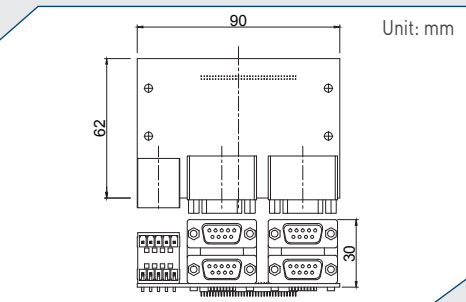
Cincoze CMI I/O Module



CMI-CD100

CMI Module with 4x RS-232/422/485 Serial Ports, 8x Optical Isolated DIO (4 in/4 out)

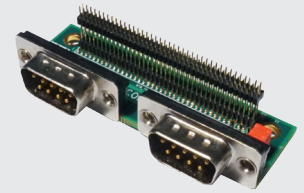
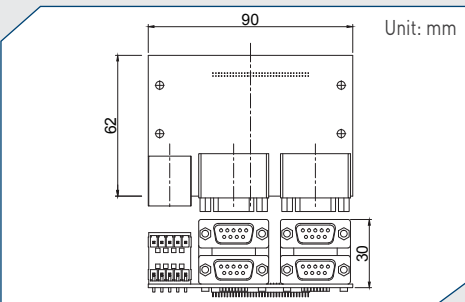
- Interface: CMI
- Number of Serial Ports: 4, DB9
- Serial Standards: RS-232/422/485
- Outputs Voltage: 5V/12V
- Electrical Isolation: NA
- Bauderate: 921.6 Kbps
- RS-232: DCD, RXD, TXD, DTR, GND, DSR, RTS, CTS, RI
- RS-422: TXD+, TXD-, RXD+, RXD-
- RS-485: DATA+, DATA-
- Number of DIO Ports: 8x Optical Isolated DIO (4DI, 4DO), 10 pin Terminal Block
- Optical Isolated DIO: 3.75kV rms
- Dimension (WxDxH): 90 x 62 x 30 mm



CMI-ICD100

CMI Module with 4x Electrical Isolated RS-232/422/485 Serial Ports, 8x Optical Isolated DIO (4 in/4 out)

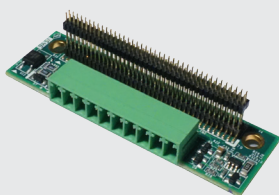
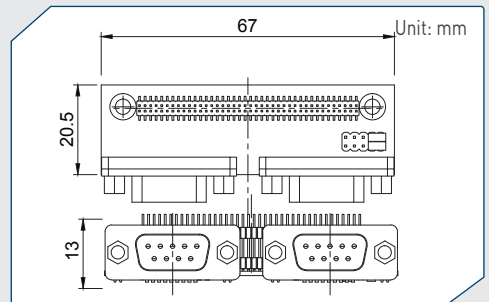
- Interface: CMI
- Number of Serial Ports: 4, DB9
- Serial Standards: RS-232/422/485
- Outputs Voltage: NA
- Electrical Isolation: 2kV rms
- Bauderate: 921.6 Kbps
- RS-232: RXD, TXD, GND, RTS, CTS
- RS-422: TXD+, TXD-, RXD+, RXD-
- RS-485: DATA+, DATA-
- Number of DIO Ports: 8x Optical Isolated DIO (4DI, 4DO), 10 pin Terminal Block
- Optical Isolated DIO: 3.75kV rms
- Dimension (WxDxH): 90 x 62 x 30 mm



CMI-COM102

CMI Module with 2x RS232/422/485 (Support 5V/12V)

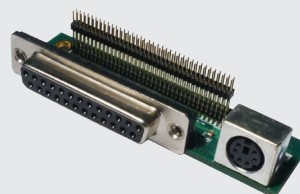
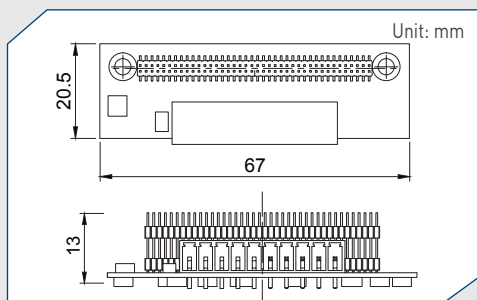
- Interface: CMI
- Number of Serial Ports: 2, DB9
- Serial Standards: RS-232/422/485
- Outputs Voltage: 5V/12V
- Electrical Isolation: NA
- Bauderate: 921.6 Kbps
- RS-232: DCD, RXD, TXD, DTR, GND, DSR, RTS, CTS, RI
- RS-422: TXD+, TXD-, RXD+, RXD-
- RS-485: DATA+, DATA-
- Dimension (WxDxH): 67 x 20.5 x 13 mm



CMI-DIO100

CMI Module with 8x Optical Isolated DIO (4 in/4 out)

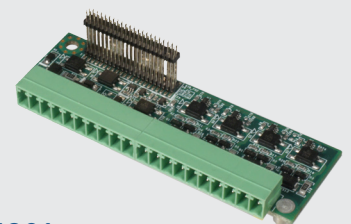
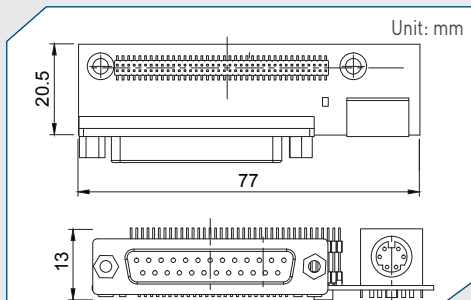
- Interface: CMI
- Number of DIO Ports: 8x Optical Isolated DIO (4DI, 4DO), 10 pin Terminal Block
- Optical Isolated DIO: 3.75kV rms
- Dimension (WxDxH): 67 x 20.5 x 13 mm



CMI-LPPS102

CMI Module with 1x LPT Port, 1x PS/2

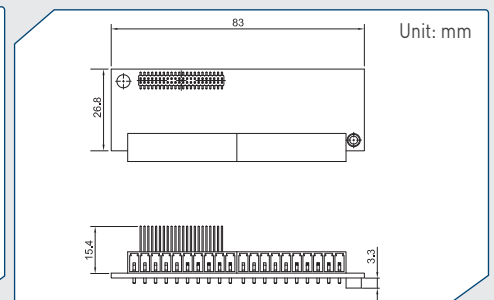
- Interface: CMI
- PS/2 Port: 1x 6-pin mini-DIN connector
- Parallel Port: 1x DB25
- Dimension (WxDxH): 77 x 20.5 x 13 mm



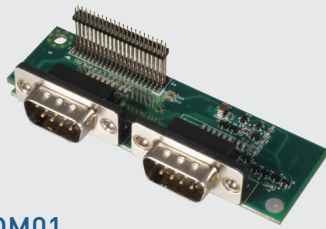
CMI-DIO01

CMI Module with 16x Optical Isolated DIO (8 in/8 out)

- Interface: CMI
- Number of DIO Ports: 16x Optical Isolated DIO (8DI, 8DO), 20 pin Terminal Block
- Optical Isolated DIO: 3.75kV rms
- Dimension (WxDxH): 83 x 26.8 x 15.4 mm



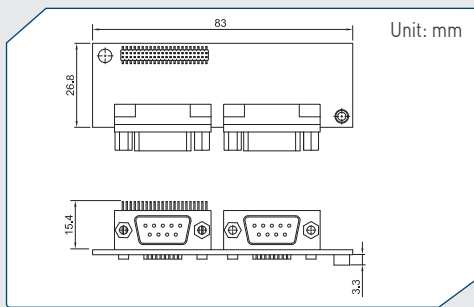
Cincoze CMI I/O Module



CMI-COM01

**CMI Module with 2x RS232/422/485
(Support 5V/12V)**

- Interface: CMI
- Number of Serial Ports: 2, DB9
- Serial Standards: RS-232/422/485
- Outputs Voltage: 5V/12V
- Electrical Isolation: NA
- Bauderate: 921.6 Kbps
- RS-232: DCD, RXD, TXD, DTR, GND, DSR, RTS, CTS, RI
- RS-422: TXD+, TXD-, RXD+, RXD-
- RS-485: DATA+, DATA-
- Dimension (WxDxH): 83 x 26.8 x 15.4 mm



CMI I/O Module Compatible List

Model No.	CMI-CD100	CMI-ICD100	CMI-COM102	CMI-DIO100	CMI-LPPS102	CMI-DIO01	CMI-COM01
DA-1000			V	V	V		
DS-1000		V					
DS-1001		V					
DS-1002		V					
DS-1100	V	V					
DS-1101	V	V					
DS-1102	V	V					
DX-1000						V	V

V : Compatible

Ordering Information

Model No.	Product Description
CMI-CD100	CMI Module with 4x RS-232/422/485 Serial Ports, 8x Optical Isolated DIO (4 in/4 out) (90 x 62 x 30 mm)
CMHCD100	CMI Module with 4x Electrical Isolated RS-232/422/485 Serial Ports, 8x Optical Isolated DIO (4 in/4 out) (90 x 62 x 30 mm)
CMI-COM102	CMI Module with 2x RS232/422/485 (Support 5V/12V) (67 x 20.5 x 13 mm)
CMI-DIO100	CMI Module with 8x Optical Isolated DIO (4 in/4 out) (67 x 20.5 x 13 mm)
CMI-LPPS102	CMI Module with 1x LPT Port, 1x PS/2 (77 x 20.5 x 13 mm)
CMI-DIO01	CMI Module with 16x Optical Isolated DIO (8 in/8 out) (83 x 26.8 x 15.4 mm)
CMI-COM01	CMI Module with 2x RS232/422/485 (Support 5V/12V) (83 x 26.8 x 15.4 mm)